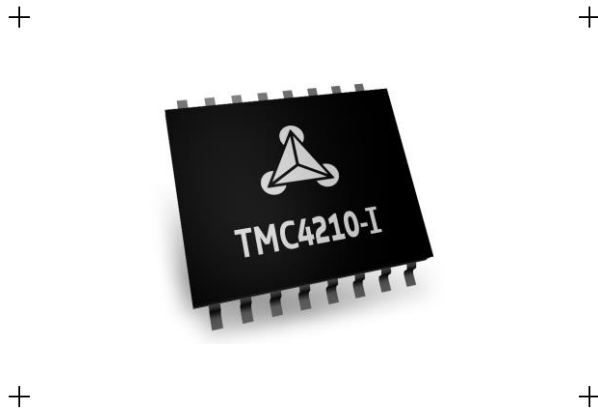


# TMC4210 DATASHEET

**Low cost 1-Axis Stepper Motor Controller for TMC26x and TMC389 Stepper Driver**  
**SPI Communication Interface for Microcontroller and Step/Direction interface to Driver**



## APPLICATIONS

CCTV, Security  
 Antenna Positioning  
 Heliostat Controller  
 Battery powered applications  
 Office Automation  
 ATM, Cash recycler, POS  
 Lab Automation  
 Liquid Handling  
 Medical  
 Printer and Scanner  
 Pumps and Valves

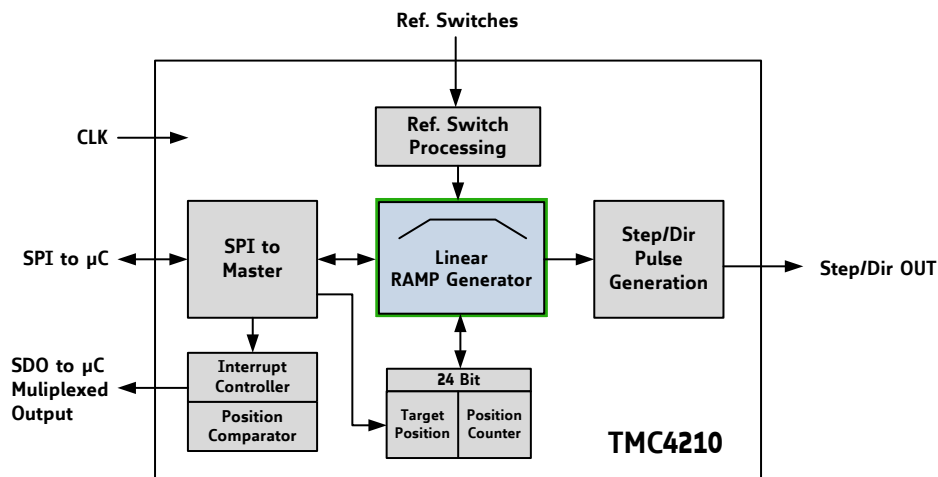
## FEATURES AND BENEFITS

**1-Axis stepper motor controller**  
**3.3 V or 5 V operation** with CMOS / TTL compatible IOs  
**Serial 4-wire interface** for  $\mu$ C with easy-to-use protocol  
**Step/Direction interface** to driver  
**Clock frequency:** up to 32 MHz (can use CPU clock)  
**Internal position counters** 24 bit wide  
**Microstep frequency** up to 1 MHz  
**Read-out option** for all motion parameters  
**Ramp generator** for autonomous positioning / speed control  
**On-the-fly change** of target motion parameters  
**Low power operation:** 1.25 mA at 4 MHz (typ.)  
**Compact Size:** ultra small 16 pin SSOP package  
**Directly controls** TMC260, TMC261, TMC262, TMC2660, TMC389, TMC2100 and TMC2130

## DESCRIPTION

The TMC4210 is a 1-axis miniaturized stepper motor controller with an industry leading feature set. It controls the motor via Step/Direction interface. Based on target positions and velocities - which can be altered on the fly - it performs all real time critical tasks autonomously. The TMC4210 offers high level control functions for robust and reliable operation. The 4 wire serial peripheral interface allows for communication with the microcontroller. Together with a microcontroller the TMC4210 forms a complete motion control system. High integration and small form factor allow for miniaturized designs for cost-effective and highly competitive solutions.

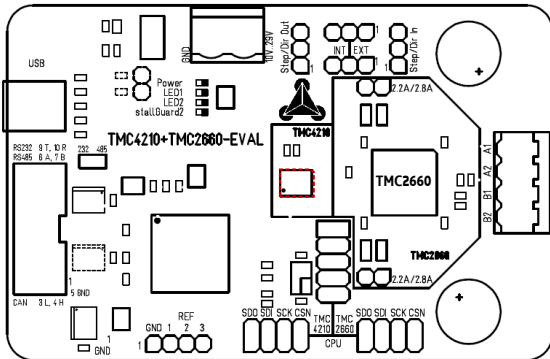
## BLOCK DIAGRAM



## APPLICATION EXAMPLE: RELIABLE CONTROL USING STEP/DIR

The TMC4210 scores with its autonomous handling of all real time critical tasks. By offloading the motion control function to the TMC4210, the stepper motor can be operated reliably with very little demand for service from the microcontroller. Software only needs to send target positions, and the TMC4210 generates precisely timed step pulses by hardware. Parameters for the motor can be changed on the fly while software retains full control. This way, high precision and reliable operation is achieved while costs are kept down.

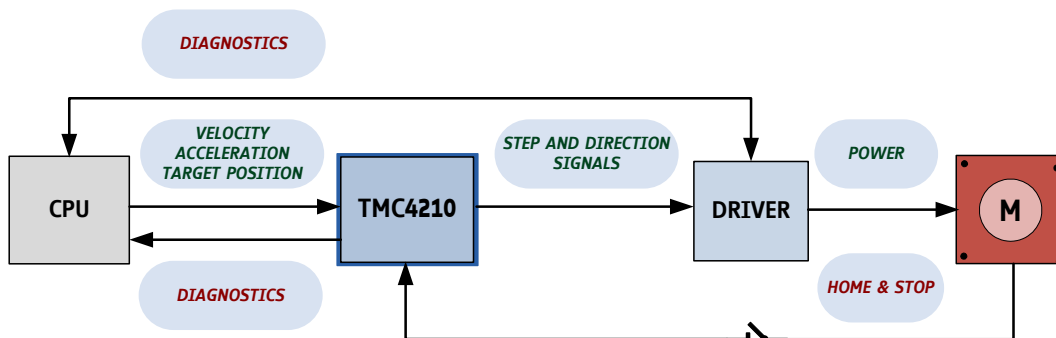
### TMC4210+TMC2660-EVAL EVALUATION BOARD



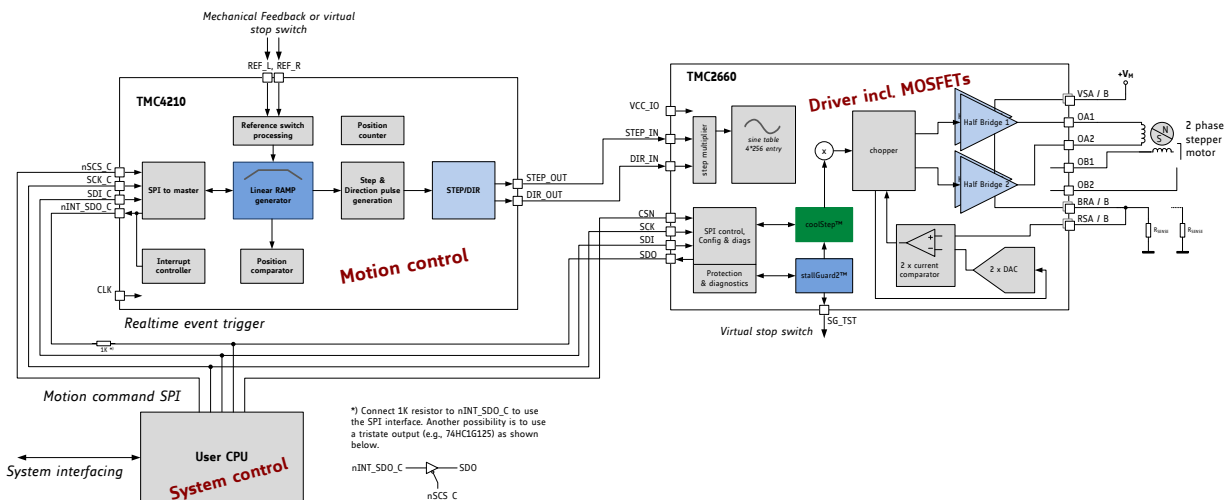
This evaluation board is a development platform for applications based on the TMC4210 and the TMC2660 stepper motor driver IC. The board features USB and CAN interfaces for communication with control software running on a PC. The power MOSFETs of the TMC2660 support drive currents up to 2.8A RMS at 29V.

The control software provides a user-friendly GUI for setting control parameters and visualizing the dynamic response of the motor.

### LOGIC OF THE CONTROLLER/DRIVER CHAIN



### SYSTEM WITH TMC4210 AND TMC2660



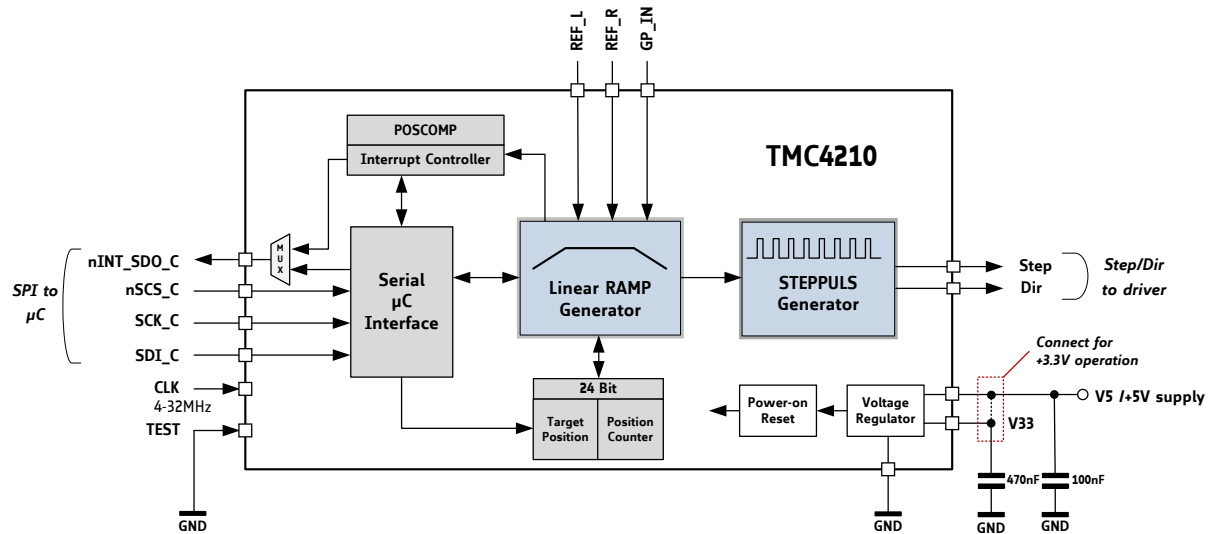
### ORDER CODES

Order code	Description	Size
TMC4210-I	1-axis Step/Dir motion controller, SSOP16-package	6 x 5 mm <sup>2</sup>
TMC4210+2660-EVAL	Evaluation board for TMC4210 and TMC2660 chipset	55 x 85 mm <sup>2</sup>

## TABLE OF CONTENTS

<b>1</b>	<b>PRINCIPLES OF OPERATION</b>	<b>4</b>	7.3	HOMING PROCEDURE	37
1.1	KEY CONCEPTS	4	<b>8</b>	<b>STEP/DIR DRIVERS</b>	<b>38</b>
1.2	CONTROL INTERFACES	5	8.1	TIMING	38
1.3	SOFTWARE VISIBILITY	5	<b>9</b>	<b>RUNNING A MOTOR</b>	<b>39</b>
1.4	STEP FREQUENCIES	6	9.1	GETTING STARTED	39
1.5	MOVING THE MOTOR	7	9.2	RUNNING A MOTOR WITH START-STOP-SPEED IN <i>RAMP_MODE</i>	39
<b>2</b>	<b>GENERAL DEFINITIONS, UNITS, AND NOTATIONS</b>	<b>8</b>	<b>10</b>	<b>ON-CHIP VOLTAGE REGULATOR</b>	<b>40</b>
2.1	NOTATIONS	8	<b>11</b>	<b>POWER-ON RESET</b>	<b>41</b>
2.2	SIGNAL POLARITIES	8	<b>12</b>	<b>ABSOLUTE MAXIMUM RATINGS</b>	<b>42</b>
2.3	UNITS OF MOTION PARAMETERS	8	<b>13</b>	<b>ELECTRICAL CHARACTERISTICS</b>	<b>42</b>
2.4	REPRESENTATION OF SIGNED VALUES BY TWO'S COMPLEMENT	8	13.1	POWER DISSIPATION	42
<b>3</b>	<b>PACKAGE</b>	<b>9</b>	13.2	DC CHARACTERISTICS	43
3.1	PACKAGE OUTLINE	9	13.3	TIMING CHARACTERISTICS	44
3.2	SIGNAL DESCRIPTIONS	9	<b>15</b>	<b>PACKAGE MACHANICAL DATA</b>	<b>45</b>
<b>4</b>	<b>SAMPLE CIRCUIT</b>	<b>11</b>	15.1	DIMENSIONAL DRAWINGS	45
<b>5</b>	<b>CONTROL INTERFACE</b>	<b>12</b>	<b>16</b>	<b>MARKING</b>	<b>46</b>
5.1	BUS SIGNALS	12	<b>17</b>	<b>DISCLAIMER</b>	<b>47</b>
5.2	SERIAL PERIPHERAL INTERFACE FOR $\mu$ C	12	<b>18</b>	<b>ESD SENSITIVE DEVICE</b>	<b>47</b>
5.3	REGISTER MAPPING	17	<b>19</b>	<b>TABLE OF FIGURES</b>	<b>48</b>
<b>6</b>	<b>REGISTER DESCRIPTION</b>	<b>18</b>	<b>20</b>	<b>REVISION HISTORY</b>	<b>48</b>
6.1	AXIS PARAMETER REGISTERS	18	<b>21</b>	<b>REFERENCES</b>	<b>48</b>
6.2	GLOBAL PARAMETER REGISTERS	34			
<b>7</b>	<b>REFERENCE SWITCH INPUTS</b>	<b>36</b>			
7.1	REFERENCE SWITCH CONFIGURATION, <i>MOT1R</i>	36			
7.2	TRIPLE SWITCH CONFIGURATION	36			

# 1 Principles of Operation



**Figure 1.1** TMC4210 functional block diagram

The TMC4210 is a 1-axis miniaturized high performance stepper motor controller with an outstanding cost-performance ratio. It is designed for high volume automotive as well as for demanding industrial motion control applications. The TMC4210 receives target values for velocity, acceleration, and positioning from the microcontroller and calculates autonomously step and direction signals for the stepper motor driver IC. The motion controller is equipped with an SPI host interface with easy-to-use protocol and with a Step/Dir interface for addressing the stepper motor driver chip.

## 1.1 Key Concepts

The TMC4210 realizes real time critical tasks autonomously and guarantees for a robust and reliable drive. These following features contribute toward greater precision, greater efficiency, higher reliability, and smoother motion in many stepper motor applications.

**Interfacing** The TMC4210 provides an SPI interface for communication with the user CPU and a Step/Dir interface for driver interfacing.

**Positioning** The TMC4210 operates the motor based on user specified target positions and velocities. Modify all motion target parameters on-the-fly during motion.

**Programming** Every parameter can be changed at any time. The uniform access to any TMC4210 register simplifies application programming. A read-back option for all internal registers is available.

**Microstepping** Based on internal position counters the TMC4210 performs up to  $\pm 2^{23}$  (micro)steps completely independent from the microcontroller. Via STEP/DIR signals any microstep resolution can be realized as supported by the driver.

## 1.2 Control Interfaces

### 1.2.1 Serial $\mu$ C Interface

Using this interface, the TMC4210 receives target positions, target velocities, and target acceleration values for the microcontroller. Further, it is used for configuration.

From the software point of view, the TMC4210 provides a set of registers, accessed by the microcontroller via a serial interface in a uniform way. Each datagram contains address bits, a read-write selection bit, and data bits to access the registers and the on-chip memory. Each time the microcontroller sends a datagram to the TMC4210 it simultaneously receives a datagram from the TMC4210. This simplifies the communication with the TMC4210 and makes programming easy. Most microcontrollers have an SPI hardware interface, which directly connects to the serial four wire microcontroller interface of the TMC4210. For microcontrollers without SPI hardware software doing the serial communication is sufficient and can easily be implemented.

### 1.2.2 Step/Dir Driver Interface

The TMC4210-I controls the motor position by sending pulses on the STEP signal while indicating the direction on the DIR signal. A programmable step pulse length and step frequencies up to 1MHz allow operation at high speed and high microstep resolution. The driver chip converts these signals into the coil currents which control the position of the motor. The TMC4210-I perfectly fits to the TMC26x smart power Step/Dir driver family.

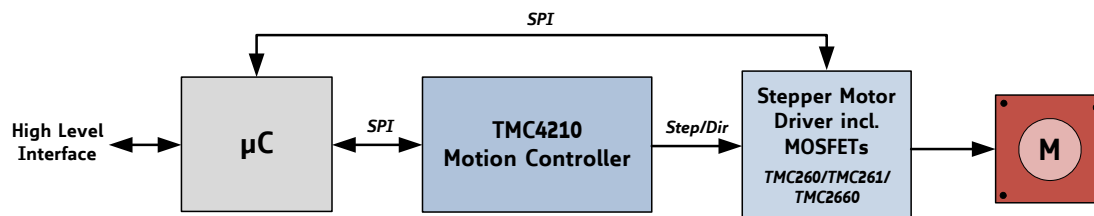


Figure 1.2 Application example using Step/Dir driver interface

## 1.3 Software Visibility

From the software point of view the TMC4210 provides a set of registers and on-chip RAM (see Figure 1.1), accessed via the serial  $\mu$ C interface in a uniform way. The serial interface uses a simple protocol with fixed datagram length for the read- and write-access. These registers are used for initializing the chip as required by the hardware configuration. Afterwards the motor can be moved by writing target positions or velocity and acceleration values.

## 1.4 Step Frequencies

### INITIALIZE THE STEP/DIR INTERFACE!

The Step/Dir interface has to be initialized by writing 1 to *en\_sd*. Refer to chapter 6.2.1.

The desired motor velocity is an important design parameter of an application. Therefore it is important to understand the limiting factors.

### 1.4.1 Step Frequencies using the Step/Dir Driver Interface

The step pulses can directly be fed to a Step/Dir driver. The maximum full step rate ( $fsf_{max}$ ) depends on the microstep resolution of the external driver chip.

The TMC4210 microstep rate ( $\mu sf$ ) is up to 1/32 of the clock frequency:

$$\mu sf_{max} = \frac{f_{CLK}}{32}$$

#### EXAMPLE FOR FULL STEP FREQUENCY CALCULATION

$f_{CLK} = 16 \text{ MHz}$

$\mu sf_{max} = 500 \text{ kHz}$

$\mu$ step resolution of external driver: 16

$$fsf_{max} = \frac{500 \text{ kHz}}{16} = 31.25 \text{ kHz}$$

With a standard motor with 1.8° per full step this results in up to 31.25kHz/200= 156 rotations per second, which is far above realistic motor velocities for this kind of motor and thus imposes no real limit on the application.

A 16 microsteps resolution can be extrapolated to 256 microsteps within the driver when using the TMC26x 2-phase stepper driver family or the TMC389 3-phase stepper motor driver.

## 1.5 Moving the Motor

Moving the motor is simple:

- To move a motor to a *new target position*, write the target position into the associated register by sending a datagram to the TMC4210.
- To move a motor with a *new target velocity*, write the velocity into the register assigned to the stepper motor.

### 1.5.1 Motion Controller Functionality

The ramp generator monitors the motion parameters stored in its registers and calculates velocity profiles. Based on the actual ramp generator velocity, a pulse generator supplies step pulses to the motor driver.

### 1.5.2 Modes of Motion

<i>ramp_mode</i>	For positioning applications the <i>ramp_mode</i> is most suitable. The user sets the position and the TMC4210 calculates a trapezoidal velocity profile and drives autonomously to the target position. During motion, the position may be altered arbitrarily.
<i>velocity_mode</i>	For constant velocity applications the <i>velocity_mode</i> is most suitable. In <i>velocity_mode</i> , a target velocity is set by the user and the TMC4210 takes into account user defined limits of velocity and acceleration.
<i>hold_mode</i>	In <i>hold_mode</i> , the user sets target velocities, but the TMC4210 ignores any limits of velocity and acceleration, to realize arbitrary velocity profiles, controlled completely by the user.
<i>soft_mode</i>	The <i>soft_mode</i> is similar to the <i>ramp_mode</i> , but the decrease of the velocity during deceleration is done with a soft, exponentially shaped velocity profile.

### 1.5.3 Interrupts

The TMC4210 has capabilities to generate interrupts. Interrupts are based on ramp generator conditions which can be set using an interrupt mask. The interrupt controller (which continuously monitors reference switches and ramp generator conditions) generates an interrupt if required.

nINT\_SDO\_C is a low active interrupt signal while nSCS\_C is high. If the microcontroller disables the interrupt during access to the TMC4210 and enables the interrupt otherwise, the multiplexed interrupt output of the TMC4210 behaves like a dedicated interrupt output. For polling, the TMC4210 sends the status of the interrupt signal to the microcontroller with each datagram.

### 1.5.4 Reference Switch Handling

The TMC4210 has a left (REF\_L) and a right (REF\_R) reference switch input. Further, the TMC4210 is equipped with a general purpose input (GP\_IN).

#### **INITIALIZE THE RIGHT REFERENCE SWITCH!**

The right reference switch REF\_R has to be initialized by writing 1 to *mot1r*.

### 1.5.5 Access to Status and Error Bits

The microcontroller directly controls and monitors the stepper driver. It also needs to take care for advanced current control, e.g. power down in stand still.

## 2 General Definitions, Units, and Notations

### 2.1 Notations

- *Decimal numbers* are used as usual without additional identification.
- *Binary numbers* are identified by a prefixed % character.
- *Hexadecimal numbers* are identified by a prefixed \$ character.

#### EXAMPLE

Decimal: 42  
Binary: %101010  
Hexadecimal: \$2A

#### TMC4210 DATAGRAMS ARE WRITTEN AS 32 BIT NUMBERS, E.G.:

\$1234ABCD = %0001 0010 0011 0100 1010 1011 1100 1101

#### TWO TO THE POWER OF N

In addition to the basic arithmetic operators (+, -, \*, /) the operator *two to the power of n* is required at different sections of this data sheet. For better readability instead of  $2^n$  the notation  $2^n$  is used.

### 2.2 Signal Polarities

External and internal signals are high active per default, but the polarity of some signals is programmable to be inverted. A pre-fixed lower case *n* indicates low active signals (e.g. *nSCS\_C*, *nSCS\_S*). See chapter 6.2, too.

### 2.3 Units of Motion Parameters

The motion parameters *position*, *velocity*, and *acceleration* are given as integer values within TMC4210 specific units. With a given stepper motor resolution one can calculate physical units for angle, angular velocity, angular acceleration. (See chapter 6.1.12)

### 2.4 Representation of Signed Values by Two's Complement

Motion parameters which have to cover negative and positive motion direction are processed as signed numbers represented by two's complement as usual. Limit motion parameters are represented as unsigned binary numbers.

#### SIGNED MOTION PARAMETERS ARE:

*X\_TARGET* / *X\_ACTUAL* / *V\_TARGET* / *V\_ACTUAL* / *A\_ACTUAL* / *A\_THRESHOLD*

#### UNSIGNED MOTION PARAMETERS ARE:

*V\_MIN* / *V\_MAX* / *A\_MAX*

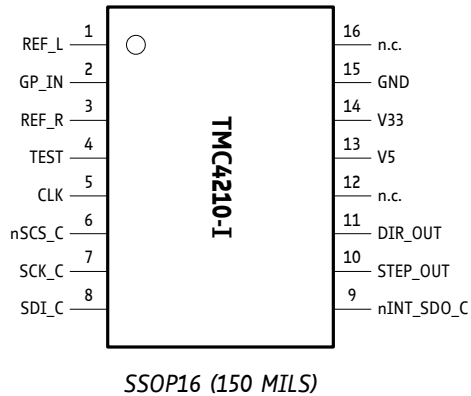


## 3 Package

The TMC4210 is qualified for the industrial temperature range. The package is RoHS compliant.

Order code	Package	Characteristics	JEDEC Drawing
TMC4210-I	SSOP16	150 mils, 16 pins, plastic package, industrial (-40... +85°C)	MO-137 (150 mils)

### 3.1 Package Outline



Please refer to the application note

#### ***PCB\_Guidelines\_TRINAMIC\_packages***

for a practical guideline for all available TRINAMIC IC packages and PCB footprints. The application note covers package dimensions, example footprints and general information on PCB footprints for these packages. It is available on [www.trinamic.com](http://www.trinamic.com).

Figure 3.1 TMC4210 pin out

### 3.2 Signal Descriptions

Pin	SSOP16	In/Out	Description
<b>Reset</b>	-	-	Internal power-on reset. <i>No external reset input pin is available.</i>
<b>CLK</b>	5	I	Clock input
<b>nSCS_C</b>	6	I	Low active SPI chip select input driven from $\mu$ C
<b>SCK_C</b>	7	I	Serial data clock input driven from $\mu$ C
<b>SDI_C</b>	8	I	Serial data input driven from $\mu$ C
<b>nINT_SDO_C</b>	9	O	Serial data output to $\mu$ C input / Multiplexed nINTERRUPT output if communication with $\mu$ C is idle (resp. nSCS_C = 1) <i>SDO_C will never be high impedance</i>
<b>n.c.</b>	12, 16	-	Leave open
<b>SCK_S</b>	11	O	DIR output
<b>SDO_S</b>	10	O	STEP output
<b>REF_L</b>	1	I	Left reference/limit switch input. Pull to GND if not used. (no internal pull-up resistor)
<b>GP_IN</b>	2	I	General purpose input. Pull to GND if not used. (no internal pull-up resistor)
<b>REF_R</b>	3	I	Right reference/limit switch input. Pull to GND if not used. (no internal pull-up resistor)
<b>V5</b>	13		+5V supply / +3.3V supply
<b>V33</b>	14		470nF ceramic capacitor pin / +3.3V supply
<b>GND</b>	15		Ground
<b>TEST</b>	4	I	<i>Must be connected to GND as close as possible to the chip. No user function.</i>

*Attention*

- Preferably, long wires to the reference switch inputs and the general purpose input should be avoided. For long wires, a low pass filter for spike suppression should be provided (refer the TMC4210 evaluation board schematic as example).
- All inputs are Schmitt-Trigger. Unused inputs (REF\_L, REF\_R, and GP\_IN) need to be connected to ground. Unused reference switch inputs have to be connected to ground, too.

## 4 Sample Circuit

This application example shows how to connect the TMC4210 motion controller with the processor and one out of TRINAMICs TMC260, TMC261, and TMC2660 stepper motor driver chips. These stepper motor driver chips have integrated MOSFETs. The TMC262 needs external power transistors.

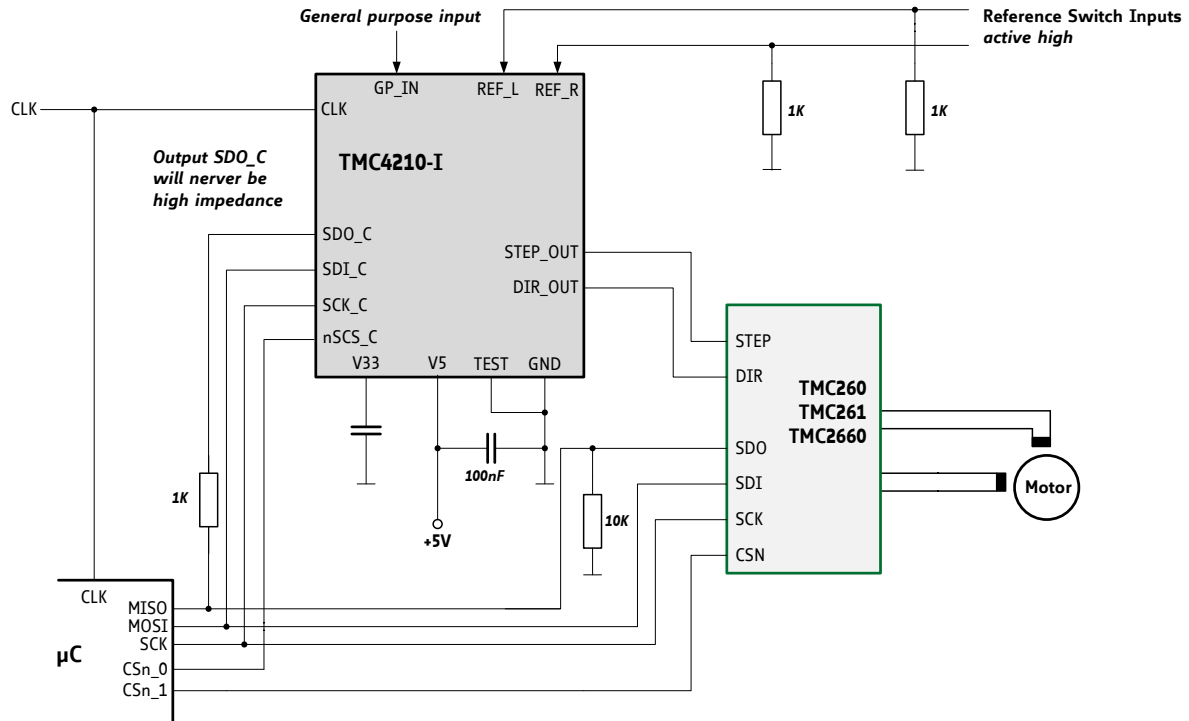


Figure 4.1 TMC4210 application environment with TMC260, TMC261 or TMC2660.

## 5 Control Interface

The communication takes place via a four wire serial interface and 32 bit datagrams of fixed length.

### RESPONSIBILITIES ARE DEFINED AS FOLLOWS:

- The microcontroller is the master of the TMC4210. It initializes the motion controller and sets target values for velocity, acceleration, and positioning.
- The TMC4210 is the master of the stepper motor driver. The motion controller calculates, e.g., ramp profiles for positioning. It sends step and direction signals to the stepper motor driver.
- The microcontroller initializes the stepper motor driver. Further, the microcontroller can read out status and error flags and thus make the diagnostics.

### AUTOMATIC POWER-ON RESET:

- The TMC4210 cannot be accessed before the power-on reset is completed and the clock is stable.
- All register bits are initialized with 0 during power-on reset, except the Step/Dir clock pre-divider STPDIV\_4210 that is initialized with 15.

### 5.1 Bus Signals

Signal Description	TMC4210 ↔ Microcontroller
Bus clock input	SCK_C
Serial data input	SDI_C
Serial data output	SDO_C
Chip select input	nSCS_C

### 5.2 Serial Peripheral Interface for $\mu$ C

The serial microcontroller interface of the TMC4210 acts as a 32 bit shift register.

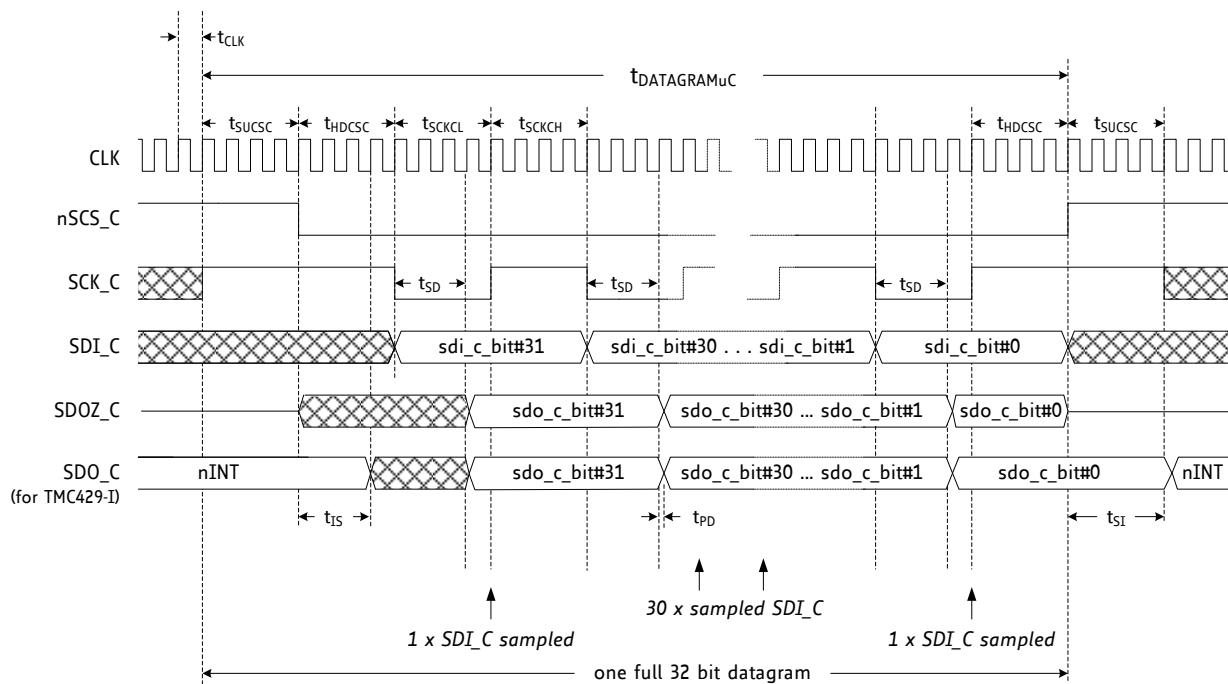
#### COMMUNICATION BETWEEN $\mu$ C AND THE TMC4210

1. The serial  $\mu$ C interface shifts serial data into SDI\_C with each rising edge of the clock signal SCK\_C.
2. Then, it copies the content of the 32 bit shift register into a buffer register with the rising edge of the selection signal nSCS\_C.
3. The serial interface of the TMC4210 immediately sends back data read from registers or read from internal RAM via the signal SDO\_C.
4. The signal SDO\_C can be sampled with the rising edge of SCK\_C. SDO\_C becomes valid at least four CLK clock cycles after SCK\_C becomes low as outlined in the timing diagram.

#### 5.2.1 Timing

A complete serial datagram frame has a fixed length of 32 bit. Because of on-the-fly processing of the input data stream, the serial  $\mu$ C interface of the TMC4210 requires the serial data clock signal SCK\_C to have a minimum low / high time of three clock cycles. The SPI signals from the  $\mu$ C interface may be asynchronous to the clock signal CLK of the TMC4210.

If the microcontroller and the TMC4210 work on different clock domains that run asynchronously by the timing of the SPI interface of the microcontroller should be made conservative in the way that the length of one SPI clock cycle equals 8 or more clock cycles of the TMC4210 clock CLK.



**Figure 5.1** Timing diagram of the serial  $\mu$ C interface

#### EXPLANATORY NOTES

- While the data transmission from the microcontroller to the TMC4210 is idle, the low active serial chip select input nSCS\_C and also the serial data clock signal SCK\_C are set to high.
- While the signal nSCS\_C is high, the TMC4210 assigns the status of the internal low active interrupt signal nINT to the serial data output SDO\_C.
- The data signal SDI\_C driven by the microcontroller has to be valid at the rising edge of the serial data clock input SCK\_C. The maximum duration of the serial data clock period is unlimited.
- While the  $\mu$ C interface of the TMC4210 is idle, the SDO\_C signal is the (active low) interrupt status nINT of the integrated interrupt controller of the TMC4210. The timing of the multiplexed interrupt status signal nINT is characterized by the parameters t<sub>IS</sub> and t<sub>SI</sub> (see chapter 13.3).

The following SPI clock frequencies are recommended in order to avoid possible issues concerning the SPI frequency between microcontroller and TMC4210:

- For fCLK = 16MHz an upper SPI clock frequency of 1MHz is recommended.
- For fCLK = 32MHz an upper SPI clock frequency of 2MHz is recommended.

#### PROCEDURE OF DATA TRANSMISSION

1. The signal nSCS\_C has to be high for at least three clock cycles before starting a datagram transmission. To initiate a transmission, the signal nSCS\_C has to be set to low.
2. Three clock cycles later the serial data clock may go low.
3. The most significant bit (MSB) of a 32 bit wide datagram comes first and the least significant bit (LSB) is transmitted as the last one.
4. A data transmission is finished by setting nSCS\_C high three or more CLK cycles after the last rising SCK\_C slope.
5. So, nSCS\_C and SCK\_C change in opposite order from low to high at the end of a data transmission as these signals change from high to low at the beginning.

In contrast to most other SPI compatible devices, the serial data output SDO\_C of the TMC4210-I is always driven. It will never be high impedance Z. If high impedance is required for the SDO\_C connected to the microcontroller, it can be realized using a single gate 74HCT1G125.

TIMING CHARACTERISTICS OF THE SERIAL MICROCONTROLLER INTERFACE					
Symbol	Parameter	Min	Typ	Max	Unit
tSUCSC	Setup Clocks for nSCS_C	3		∞	CLK periods
tHDCSC	Hold Clocks for nSCS_C	3		∞	CLK periods
tSCKCL	Serial Clock Low	3		∞	CLK periods
tSCKCH	Serial Clock High	3		∞	CLK periods
tSD	SDO_C valid after SCK_C low	2.5		3.5	CLK periods
tIS	nINTERRUPT status valid after nSCS_C low	2.5			CLK periods
tSI	SDO_C valid after nSCS_C high			4.5	CLK periods
tDAMAGRAMuC	Datagram Length	3+3+32*6= 198		∞	CLK periods
tDAMAGRAMuC	Datagram Length	12.375		∞	μs
fCLK	Clock Frequency	0		32	MHz
tCLK	Clock Period tCLK = 1 / fCLK	31.25		∞	ns
tPD	CLK-rising-edge-to-Output Propagation Delay		5		ns

## 5.2.2 Datagram Structure

The μC communicates with the TMC4210 via the four wire serial interface. Each datagram sent to the TMC4210 via the pin SDI\_C and each datagram received from the TMC4210 via the pin SDO\_C is 32 bits long.

The first bit sent is the *most significant bit (MSB)* sdi\_c\_bit#31. The last bit sent is the *least significant bit (LSB)* sdi\_c\_bit#0 (see Figure 5.1). During the reception of a datagram, the TMC4210 immediately sends back a datagram of the same length to the microcontroller. This return datagram consists of requested read data in the lower 24 datagram bits and status bits in the higher 8 datagram bits. A read request is distinguished from a write request by the read/not write datagram bit (RW).

### 5.2.2.1 Datagrams Sent to the TMC4210

The datagrams sent to the TMC4210 are assorted in four groups of bits:

RRS	The <i>register RAM select (RRS) bit</i> selects either registers or the on-chip RAM.
ADDRESS	<i>Address bits</i> address memory within the register set or within the RAM area.
RW	The <i>read / not write (RW) bit</i> distinguishes between read access and write access: read: RW = 1 / write RW = 0.
DATA	<i>Data bits</i> are only for write access. For read access these bits are not used ( <i>don't care</i> ) and should be set to 0.

MSB	32 BIT DATAGRAM SENT FROM μC TO THE TMC4210 VIA PIN SDI_C																														LSB				
	3	3	2	2	2	2	2	2	2	2	2	2	1	1	1	1	1	1	1	1	1	1	1	9	8	7	6	5	4	3		2	1	0	
1	0	9	8	7	6	5	4	3	2	1	0	9	8	7	6	5	4	3	2	1	0														
RRS	ADDRESS						RW	DATA																											

#### NOTE

- Different internal registers of the TMC4210 have different lengths. For some registers only a subset of 24 data bits is used.
- Unused data bits should be set to 0.
- Some addresses select a couple of registers mapped together into the 24 data bit space.

### 5.2.2.2 Datagrams Received by $\mu$ C from the TMC4210

The datagrams received by the  $\mu$ C from the TMC4210 contain two groups of bits:

**STATUS BITS** The status bits, sent back with each datagram, comprehend the most important internal status bits of the TMC4210 and the settings of the reference switches

**DATA BITS** Data bits are only for write access.

The most significant bit *MSB* is received first; the least significant bit *LSB* is received last. The TMC4210 only sends datagrams on demand.

MSB	32 BIT DATAGRAM SENT BACK FROM THE TMC4210 TO $\mu$ C VIA PIN SDO_C																				LSB												
	3	3	2	2	2	2	2	2	2	2	2	1	1	1	1	1	1	1	1	1		9	8	7	6	5	4	3	2	1	0		
1	0	9	8	7	6	5	4	3	2	1	0	9	8	7	6	5	4	3	2	1	0												
	STATUS BITS							DATA BITS																									
INT	-	R_R	-	GP_IN	-	R_L	xEQt1																										

#### STATUS INFORMATION BITS

**INT** The status bit *INT* is the *internal high active interrupt controller status output signal*. Handling of interrupt conditions without using interrupt techniques is possible by polling this status bit.

The interrupt signal is available multiplexed with the SPI read back data at the nINT\_SDO\_C pin of the TMC4210. The pin nINT\_SDO\_C may additionally be connected to an interrupt input of the microcontroller. Do not set SDO\_INT=1 because this setting disables the SPI output.

Since the SDO\_C / nINT output on TMC4210-I is multiplexed, the microcontroller has to disable its interrupt input while it sends a datagram to the TMC4210. The SDO\_C signal driven by the TMC4210 alternates during datagram transmission.

**R\_L** The status bit R\_L represents the state of the left reference switch input (*r\_l*).

**R\_R** *r\_r* is visible here only, while mot1R has not yet been set.

**GP\_IN** The GP\_IN status bit represents the setting of the general purpose input. Refer to chapter 6.1.10.2, too.

**xEQt1** The status bit xEQt1 indicates for the stepper motor, if it has reached its target position.

The status bits *r\_r*, *r\_l*, and *gp\_in* and the bit xEQt1 can trigger an interrupt or enable simple polling techniques. See chapter 5.3, register 01 1110 for accessing the input bits.

### 5.2.3 Simple Datagram Examples

The % prefix – normally indicating binary representation in this data sheet – is omitted for the following datagram examples. Assuming, one would like to write (RW=0) to a register (RRS=0) at the address %001101 the following data word %0000 0000 0000 0001 0010 0011, one would have to send the following 32 bit datagram

```
00011010000000000000000100100011
```

to the TMC4210. With inactive interrupt (INT=0), no cover datagram waiting (CDGW=0), all reference switches inactive (RS3=0, RS2=0, RS1=0), and all stepper motors at target position (xEQt3=1, xEQt2=1, xEQt1=1) the status bits would be %10010101 the TMC4210 would send back the 32 bit datagram:

```
10010101000000000000000000000000
```

To read (RW=1) back the register written before, one would have to send the 32 bit datagram

```
00011011000000000000000000000000
```

to the TMC4210 and the TMC4210 would reply with the datagram

```
10010101000000000000000100100011.
```

Write (RW=0) access to on-chip RAM (RRS=1) to an address %111111 occurs similar to register access, but with RRS=1. To write two 6 bit data words %100001 and %100011 to successive pair-wise RAM addresses %1111110 and %1111111 (%100001 to %1111110 and %100011 to %1111111) which are commonly addressed by one datagram, one would have to send the datagram

```
1111111000000000010001100100001.
```

To read (rw=1) from that on-chip memory address, one would have to send the datagram

```
11111111000000000000000000000000.
```



### 5.3 Register Mapping

All register bits are initialized with 0 during power on reset, except the step pulse length setting that is initialized with 15. During power-up, the on-chip RAM of the TMC4210 is initialized internally and the chip does not send any datagrams to the stepper motor driver.

#### CHANGING TARGET POSITION OR TARGET VELOCITY

The stepper motor is controlled directly by writing motion parameters into associated registers. Only one register write access is necessary for changing a target motion parameter. Thus the microcontroller has to send one 32 bit datagram to the TMC4210 for altering the target position or the target velocity of the stepper motor.

#### READ AND WRITE

Read and write access is selected by the RW bit (sdi\_c\_bit#24) of the datagram sent from the µC to the TMC4210. The on-chip configuration RAM and the registers are writeable with read-back option. Some addresses are read-only. Write access (RW=0) to some of those read-only registers triggers additional functions, explained in detail later.

TMC4210 REGISTER MAPPING																																					
32 BIT DATAGRAM SENT FROM µC TO THE TMC4210 VIA PIN SDI_C																																					
3	3	2	2	2	2	2	2	2	2	2	1	1	1	1	1	1	1	1	1	1	1	9	8	7	6	5	4	3	2	1	0						
ADDRESS				RW	DATA																																
SMDA				IDX	STEPPER MOTOR REGISTER SET (SMDA=00)																																
					X_TARGET																																
0 0				RW=0 : WRITE access / RW=1 : READ access	X_ACTUAL																																
					V_MIN																																
					V_MAX																																
					V_TARGET																																
					V_ACTUAL																																
					A_MAX																																
					A_ACTUAL																																
																					1	PMUL						PDIV									
																					lp	REF_CONF						R_M									
																					INTERRUPT_MASK						INTERRUPT_FLAGS										
																					PULSE_DIV				RAMP_DIV				0								
					DX_REF_TOLERANCE																																
					X_LATCHED																																
					USTEP_COUNT_4210																																
					1 1				IDX	GLOBAL PARAMETER REGISTERS (SMDA=11)																											
										IF_CONFIGURATION_4210																											
POS_COMP_4210																																					
POS_COMP_INT_4210																M	I																				
POWER-DOWN																																					
TYPE_VERSION (= \$429101 for TMC4210, read-only)																																					
- - gp_in - r_l r_r																																					
motr																0	0 0 0 0 0				STPDIV_4210				0 0 0 0 0 0 00												

SMDA	Stepper motor driver address	r_l, r_r, gp_in	Left switch / right switch / general purpose input (read out)
R_M	RAMP_MODE mask	I	Interrupt
	Unused bits		

## 6 Register Description

The TMC4210 provides axis parameter registers and global parameter registers.

### 6.1 Axis Parameter Registers

The registers hold binary coded numbers. Some are unsigned (positive) numbers, some are signed numbers in two's complement, and some are control bits or single flags. The functionality of different registers depends on the *RAMP\_MODE* (refer to chapter 6.1.10).

#### OVERVIEW AXIS PARAMETER REGISTER MAPPING

REGISTER	R / W	TYPE	DESCRIPTION
<i>X_TARGET</i>	R/W	24 bit unsigned	This register holds the current target position in units of microsteps.
<i>X_ACTUAL</i>	R/W* <sup>2</sup>	24 bit unsigned	The current position of each stepper motor is available by read out of this register.
<i>V_MIN</i>	R/W	11 bit unsigned	This register holds the absolute velocity value at or below which the stepper motor can be stopped abruptly.
<i>V_MAX</i>	R/W	11 bit unsigned	This parameter sets the maximum motor velocity.
<i>V_TARGET</i>	R/W	12 bit signed	The <i>V_TARGET</i> register holds the current target velocity. The use of <i>V_TARGET</i> depends on the chosen mode of operation.
<i>V_ACTUAL</i>	R* <sup>1</sup>	12 bit signed	This read-only register holds the current velocity of the stepper motor.
<i>A_MAX</i>	R/W	11 bit unsigned	This register defines the absolute value of the desired acceleration for <i>velocity_mode</i> and <i>ramp_mode</i> (resp. <i>soft_mode</i> ) with a value range from 0 to 2047.
<i>A_ACTUAL</i>	R	11 bit unsigned	The actual acceleration can be read out by the microcontroller from the <i>A_ACTUAL</i> read-only register.
<i>PMUL</i> <i>PDIV</i>	R/W R/W	1+7 bit 4 bit unsigned	These values form a floating point number with <i>PMUL</i> as mantissa and <i>PDIV</i> as exponent. <i>PMUL</i> and <i>PDIV</i> are used for calculating the deceleration ramp.
<i>RAMP_MODE</i> <i>REF_CONF</i> <i>lp</i>	R/W R/W R	2 bit 4 bit 1 bit	The two bits <i>RAMP_MODE</i> ( <i>R_M</i> ) select one of the four possible modes of operation. The configuration bits <i>REF_CONF</i> select the behavior of the reference switches. The bit called <i>lp</i> (latched position) is a read only status bit.
<i>INTERRUPT_MASK</i> <i>INTERRUPT_FLAGS</i>	R/W R/W	8 bit 8 bit	The TMC4210 provides one interrupt register of eight flags for the stepper motor.
<i>RAMP_DIV</i> <i>PULSE_DIV</i>	R/W R/W R/W	4 bit 4 bit 2 bit	The parameter <i>RAMP_DIV</i> scales the acceleration parameter <i>A_MAX</i> . The pulse generator clock – defining the maximum step pulse rate – is determined by the parameter <i>PULSE_DIV</i> . The parameter <i>PULSE_DIV</i> scales the velocity parameters.
<i>DX_REF_TOLERANCE</i>	R/W	12 bit	<i>DX_REF_TOLERANCE</i> excludes a motion range to allow motion near the reference position.
<i>X_LATCHED</i>	R	24 bit unsigned	This read-only register stores the actual position <i>X_ACTUAL</i> upon a change of the reference switch-state.
<i>USTEP_COUNT_4210</i>	R/W	8 bit	The read-write register <i>USTEP_COUNT_4210</i> holds the actual microstep pointer of the internal sequencer.

\*<sup>1</sup> in *hold\_mode* only, this register is a read-write register.

\*<sup>2</sup> before overwriting *X\_ACTUAL* choose *velocity\_mode* or *hold\_mode*. Refer to chapter 6.1.2.

### 6.1.1 $X\_TARGET$ (IDX=%0000)

This register holds the current target position in units of microsteps.

#### UNIT OF TARGET POSITION

The unit of the target position depends on the setting of the associated microstep resolution register *usrs*.

#### POSITIONING

- If the difference  $X\_TARGET$  to  $X\_ACTUAL$  is not zero and  $R\_M = ramp\_mode$  or  $soft\_mode$ , the TMC4210 moves the stepper motor in the direction of  $X\_TARGET$  in order to position  $X\_ACTUAL$  to  $X\_TARGET$ . Usually  $X\_TARGET$  is modified to start a positioning.
- The condition  $|X\_TARGET - X\_ACTUAL| < 2^{23}$  must be satisfied for motion into correct direction.
- Target position  $X\_TARGET$  and current position  $X\_ACTUAL$  may be altered on the fly.
- To move from one position to another, the ramp generator of the TMC4210 automatically generates ramp profiles in consideration of the velocity limits  $V\_MIN$  and  $V\_MAX$  and acceleration limit  $A\_MAX$ .

The registers  $X\_TARGET$ ,  $X\_ACTUAL$ ,  $V\_MIN$ ,  $V\_MAX$ , and  $A\_MAX$  are initialized with zero after power up.

### 6.1.2 $X\_ACTUAL$ (IDX=%0001)

The current position of the stepper motor is available by read out of the registers called  $X\_ACTUAL$ . The actual position can be overwritten by the microcontroller. This feature is important for the reference switch position calibration controlled by the microcontroller.

#### UNIT OF CURRENT POSITION

The unit of the target position depends on the setting of the associated microstep resolution register *usrs*.

#### Attention

Before overwriting  $X\_ACTUAL$  choose *velocity\_mode* or *hold\_mode*.

If  $X\_ACTUAL$  is overwritten in *ramp\_mode* or *soft\_mode* the motor directly drives to  $X\_TARGET$ .

### 6.1.3 $V\_MIN$ (IDX=%0010)

This register holds the absolute velocity value at or below which the stepper motor can be stopped abruptly.

#### UNIT OF VELOCITY

The unit of velocity parameters is *steps per time unit*. The scale of velocity parameters ( $V\_MIN$ ,  $V\_MAX$ ,  $V\_TARGET$ ,  $V\_ACTUAL$ ) is defined by the parameter  $PULSE\_DIV$  (see page 6.1.12 for details) and depends on the clock frequency of the TMC4210.

#### DECELERATION

- The parameter  $V\_MIN$  is relevant for deceleration while reaching a target position.  $V\_MIN$  should be set greater than zero.
- This control value allows reaching the target position faster because the stepper motor is not slowed down below  $V\_MIN$  before the target is reached.
- Due to the finite numerical representation of integral relations the target position cannot be reached exactly, if the calculated velocity is less than one, before the target is reached. Setting  $V\_MIN$  to at least one assures reaching each target position exactly.

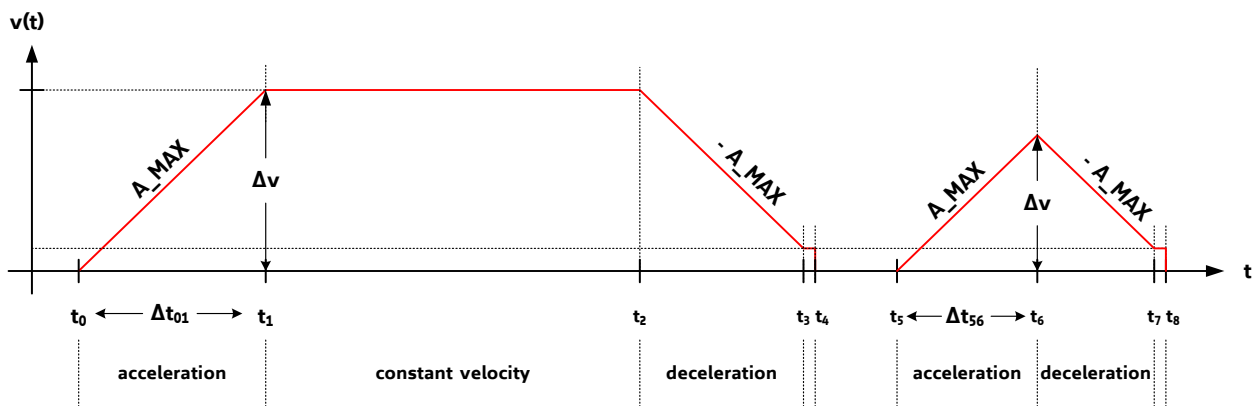


Figure 6.1 Velocity ramp parameters and velocity profiles

### 6.1.4 $V\_MAX$ (IDX=%0011)

This parameter sets the maximum motor velocity. The absolute value of the velocity will not exceed this limit, except if the limit  $V\_MAX$  is changed during motion to a value below the current velocity.

#### UNIT OF VELOCITY

The unit of velocity parameters is *steps per time unit*. The scale of velocity parameters ( $V\_MIN$ ,  $V\_MAX$ ,  $V\_TARGET$ ,  $V\_ACTUAL$ ) is defined by the parameter  $PULSE\_DIV$  (see page 6.1.12 for details) and depends on the clock frequency of the TMC4210.

#### HOMING PROCEDURE

To set target position  $X\_TARGET$  and current position  $X\_ACTUAL$  to an equivalent value (e.g. to set both to zero at a reference point) the stepper motor should be stopped first and the parameter  $V\_MAX$  should be set to zero to hold the stepper motor at rest before writing into the register  $X\_TARGET$  and  $X\_ACTUAL$ .

#### Attention

Before overwriting  $X\_ACTUAL$  choose *velocity\_mode* or *hold\_mode*.

If  $X\_ACTUAL$  is overwritten in *ramp\_mode* or *soft\_mode* the motor directly drives to  $X\_TARGET$ .

## 6.1.5 V\_TARGET (IDX=%0100)

The use of *V\_TARGET* depends on the chosen mode of operation:

Mode of operation	Functionality of <i>V_TARGET</i>
<i>ramp_mode</i>	The <i>V_TARGET</i> register holds the current target velocity calculated internally by the ramp generator.
<i>velocity_mode</i>	A target velocity can be written into the <i>V_TARGET</i> register. The stepper motor accelerates until it reaches the specified target velocity. The velocity is changed according to the motion parameter limits if the register <i>V_TARGET</i> is changed.
<i>hold_mode</i>	The register <i>V_TARGET</i> is ignored.
<i>soft_mode</i>	The <i>V_TARGET</i> register holds the current target velocity calculated internally by the ramp generator.

### UNIT OF VELOCITY

The unit of velocity parameters is *steps per time unit*. The scale of velocity parameters (*V\_MIN*, *V\_MAX*, *V\_TARGET*, *V\_ACTUAL*) is defined by the parameter *PULSE\_DIV* (see chapter 6.1.12 for details) and depends on the clock frequency of the TMC4210.

## 6.1.6 V\_ACTUAL (IDX=%0101)

This read-only register holds the current velocity of the associated stepper motor. Internally, the ramp generator of the TMC4210 processes with 20 bits while only 12 bits (the most significant bits) can be read out as *V\_ACTUAL*.

In *hold\_mode* only, this register is a read-write register. Writing zero to the register *V\_ACTUAL* immediately stops the associated stepper motor, because hidden bits are set to zero with each write access to the register *V\_ACTUAL*. In *hold\_mode* motion parameters are ignored and the microcontroller has the full control to generate a ramp. The TMC4210 only handles the microstepping and datagram generation for the associated stepper motor.

### UNIT

The unit of velocity parameters is *steps per time unit*. The scale of velocity parameters (*V\_MIN*, *V\_MAX*, *V\_TARGET*, and *V\_ACTUAL*) is defined by the parameter *PULSE\_DIV* (see chapter 6.1.12 for details) and depends on the clock frequency of the TMC4210.

An actual velocity of zero read out by the microcontroller means that the *current velocity is in an interval between zero and one*. Therefore the actual velocity should not be used to detect a stop of the stepper motor. It is advised to detect the *target\_reached* flag instead.

## 6.1.7 A\_MAX (IDX=%0110)

This register defines the absolute value of the desired acceleration for *velocity\_mode* and *ramp\_mode* (resp. *soft\_mode*) with a value range from 0 to 2047.

### Note

The motion controller cannot stop the stepper motor if *A\_MAX* is set to zero on the fly because afterwards the velocity cannot be changed automatically any more.

### UNIT

The unit of the acceleration is *change of step frequency per time unit divided by 256*. The scale of acceleration parameters (*A\_MAX*, *A\_ACTUAL*, and *A\_THRESHOLD*) is defined by the parameter *RAMP\_DIV* (see section 6.1.12) and depends on the clock frequency of the TMC4210.

### 6.1.7.1 A\_MAX in *ramp\_mode*

As long as  $RAMP\_DIV \geq PULSE\_DIV - 1$  is valid, any value of *A\_MAX* within its range (0.. 2047) is allowed and there exists a valid pair {*PMUL*, *PDIV*} for each *A\_MAX*. The reason is that the acceleration scaling determined by *RAMP\_DIV* is compatible with the step velocity scaling determined by *PULSE\_DIV*. A large *RAMP\_DIV* stands for low acceleration and a large *PULSE\_DIV* stands for low velocity. Low acceleration is compatible with low speed and high speed as well, but high acceleration is more compatible with high speed.

Changing one parameter out of the triple  $\{A\_MAX, RAMP\_DIV, PULSE\_DIV\}$  requires re-calculation of the parameter pair  $\{PMUL, PDIV\}$  to update the associated register. For description of the parameters  $PMUL$  and  $PDIV$  see section 6.1.9.

### 6.1.7.1.1 Deceleration in *ramp\_mode* and *soft\_mode*

If  $RAMP\_DIV$  and  $PULSE\_DIV$  differ more than one while deceleration in *ramp\_mode* or *soft\_mode* the parameter  $A\_MAX$  needs to have a lower limit ( $>1$ ) and an upper limit ( $<2047$ ). The reason is that the deceleration ramp is internally limited to  $2^{19}$  steps (respectively microsteps).

#### THE LOWER LIMIT OF $A\_MAX$ IS GIVEN BY

$$A\_MAX_{LOWER\_LIMIT} = 2^{(RAMP\_DIV - PULSE\_DIV - 1)}$$

- With  $V\_MAX$  set to  $\frac{2048}{\sqrt{2}}$  ( $\approx 1448$ ) or lower the  $A\_MAX_{LOWER\_LIMIT}$  is half of this value.
- If  $RAMP\_DIV - PULSE\_DIV - 1 \leq 0$  the limit  $A\_MAX_{LOWER\_LIMIT}$  is 1 and the parameter  $A\_MAX$  may be set to 1.

#### THE UPPER LIMIT OF $A\_MAX$ IS GIVEN BY

$$A\_MAX_{UPPER\_LIMIT} = 2^{(RAMP\_DIV - PULSE\_DIV + 12)} - 1$$

- If  $RAMP\_DIV - PULSE\_DIV + 1 \geq 0$  the  $A\_MAX_{UPPER\_LIMIT}$  is  $> 2048$  and the parameter  $A\_MAX$  might be set to any value up to 2047.

#### CONDITIONS

The parameter  $A\_MAX$  must not be set below  $A\_MAX_{LOWER\_LIMIT}$  except  $A\_MAX$  is set to 0. The condition  $A\_MAX \geq A\_MAX_{LOWER\_LIMIT}$  as well as  $A\_MAX \leq A\_MAX_{UPPER\_LIMIT}$  must be satisfied to reach any target position without oscillations. If that condition is not satisfied, oscillations around a target position may occur.

## 6.1.8 $A\_ACTUAL$ (IDX=%0111)

The actual acceleration can be read out by the microcontroller from the  $A\_ACTUAL$  read-only register. The actual acceleration is used to select scale factors for the coil currents. It is updated with each clock. The returned value  $A\_ACTUAL$  is smoothed to avoid oscillations of the readout value. Thus, returned  $A\_ACTUAL$  values should not be used directly for precise calculations.

#### UNIT

The unit of the acceleration is *change of step frequency per time unit divided by 256*. The scale of acceleration parameters ( $A\_MAX$ ,  $A\_ACTUAL$ , and  $A\_THRESHOLD$ ) is defined by the parameter  $RAMP\_DIV$  (see section 6.1.12) and depends on the clock frequency of the TMC4210.

## 6.1.9 $PMUL$ & $PDIV$ (IDX=%1001)

In ramp mode, the TMC4210 uses an internal algorithm to calculate the deceleration ramp on the fly. This algorithm requires an additional proportionality factor  $P$  which allows the TMC4210 to calculate the velocity required for stopping in time to exactly reach the target position without overshooting. This calculation is done for each ramp step. The result of this calculation can be read in the register  $V\_TARGET$ . Whenever  $V\_TARGET$  falls below the actual velocity, the TMC4210 decelerates. As there is a large range of acceleration and velocity values,  $p$  is stored in a floating point representation, using the registers  $PMUL$  (mantissa) and  $PDIV$  (exponent).

Using the *proportionality factor*  $P$  target positions are quickly reached without overshooting. The proportionality factor primarily depends on the acceleration limit  $A\_MAX$  and on the two clock divider parameters  $PULSE\_DIV$  and  $RAMP\_DIV$ . These two separate clock divider parameters (set to the same value for most applications) provide an extremely wide dynamic range for acceleration and velocity.  $PULSE\_DIV$  and  $RAMP\_DIV$  allow reaching very high velocities with very low acceleration.

Changing one parameter out of the triple  $\{A\_MAX, RAMP\_DIV, PULSE\_DIV\}$  requires re-calculation of the parameter pair  $\{PMUL, PDIV\}$  to update the associated register.

### 6.1.9.1 Calculation of the Proportionality Factor $p$

The representation of the proportionality factor  $p$  by the two parameters  $PMUL$  and  $PDIV$  is a floating point representation.

#### NOTATIONS

Registers are  $PMUL$  and  $PDIV$ .

Operating values are  $P_{MUL}$  and  $P_{DIV}$ .

#### CALCULATE $P$ AS FOLLOWS:

$$p = \frac{P_{MUL}}{P_{DIV}}$$

with

$$P_{MUL} = 128 \dots 255 \text{ representing a factor of } 1.000 \text{ to } 1.992 (=1+127/128)$$

$$P_{DIV} = \{2^3, 2^4, 2^5 \dots 2^{14}, 2^{15}, 2^{16}\}$$

$P_{MUL}$  ranges from 128 to 255.  $P_{DIV}$  is a power of two with a range from 8 to 65536. Values of  $p$  less than 128 can be achieved by increasing  $P_{DIV}$ .

The TMC4210 does not directly store the  $P_{DIV}$  parameter. The motion controller stores  $PDIV$  with

$$P_{DIV} = 2^{3+PDIV}$$

#### NOTE

- Setting the factor  $p$  too small will result in a slow approach to the target position.
- Setting the factor  $p$  too large will cause overshooting and even oscillations around the target position.
- The parameters  $PMUL$  and  $PDIV$  share the address  $IDX=\%1001$ . The MSB of  $PMUL$  is fixed set to 1 and cannot be changed. This way,  $PMUL$  represents a mantissa in the range 1.000 (%1000 0000) to 1.992 (%1111 1111).

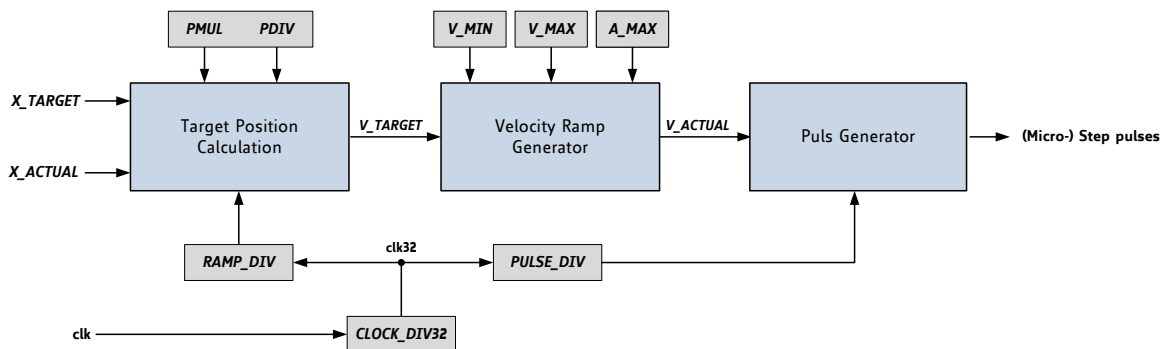


Figure 6.2 Target position calculation, ramp generator, and pulse generator

#### 6.1.9.1.1 Calculation of $p$ for a Given Acceleration

$p$  and the fitting  $PMUL$  and  $PDIV$  values can be calculated by the microcontroller. Optionally a pair of matching values of  $A\_MAX$ ,  $PMUL$  and  $PDIV$  can be stored into the microcontroller memory. The acceleration limit is a stepper motor parameter which is fixed in most applications. If the acceleration limit has to be changed nevertheless, the microcontroller can calculate a pair of  $PMUL$  and  $PDIV$  on demand for each new acceleration limit  $A\_MAX$  with  $RAMP\_DIV$  and  $PULSE\_DIV$ . Also, pre-calculated pairs of  $PMUL$  and  $PDIV$  read from a table can be sufficient.

#### 6.1.9.2 Calculation of $PMUL$ and $PDIV$

A pair of  $PMUL$  and  $PDIV$  has to be calculated for each provided acceleration limit  $A\_MAX$ . Note, that there may be more than one valid pair of  $PMUL$  and  $PDIV$  for a given  $A\_MAX$  acceleration limit.

### CONSIDERATIONS FOR THE CALCULATION OF *PMUL* AND *PDIV*

- To accelerate, the ramp generator accumulates the acceleration value to the actual velocity with each time step.
- The absolute value  $V\_MAX$  of the velocity internally is represented by 11+8=19 bits, while only the most significant 11 bits and the sign are used as input for the step pulse generator. So, there are  $2^{11}=2048$  values possible for specifying a velocity within a range of 0 to 2047.
- The ramp generator accumulates  $1/256 \cdot A\_MAX$  with each time step to the actual velocity value  $V\_ACTUAL$  during acceleration phases. This accumulation uses 8 bits for decimals. So, the acceleration from a velocity  $V\_ACTUAL=0$  to the maximum possible velocity  $V\_MAX=2047$  spans over  $2048 \cdot 256 / A\_MAX$  pulse generator clock pulses.
- Within the acceleration phase the pulse generator generates  $S = \frac{1}{2} \cdot 2048 \cdot 256 / A\_MAX \cdot T$  steps for the (micro) step unit.
- The parameter T is the clock divider ratio:  $T = 2^{RAMP\_DIV} / 2^{PULSE\_DIV} = 2^{RAMP\_DIV - PULSE\_DIV}$

During the acceleration, the velocity has to be increased until the velocity limit  $V\_MAX$  is reached or deceleration is required in order to exactly reach the target position. The TMC4210 automatically determines the deceleration position in *ramp\_mode* and decelerates. This calculation uses the difference between current position and target position and the proportionality parameter  $p$ , which has to be  $p = 2048 / S$ .

The following formula results:

$$p = \frac{2048}{\left(\frac{1}{2} \cdot 2048 \cdot \frac{256}{A\_MAX}\right) \cdot 2^{RAMP\_DIV - PULSE\_DIV}}$$

This can be simplified to

$$p = \frac{A\_MAX}{128 \cdot 2^{RAMP\_DIV - PULSE\_DIV}}$$

### HINTS

- To avoid overshooting, the parameter *PMUL* should be made approximately 1% smaller than calculated. Alternatively set  $p$  reduced by an amount of 1%.
- If the proportionality parameter  $p$  is too small, the target position will be reached slower, because the slow down ramp starts earlier. The target position is approached with minimal velocity  $V\_MIN$ , whenever the internally calculated target velocity becomes less than  $V\_MIN$ .
- With a good parameter  $p$  the minimal velocity  $V\_MIN$  is reached a couple of steps before the target position.
- With parameter  $p$  set a little bit too large and a small  $V\_MIN$  overshooting of one step (respectively one microstep) may occur. A decrement of the parameter *PMUL* avoids this one-step overshooting.

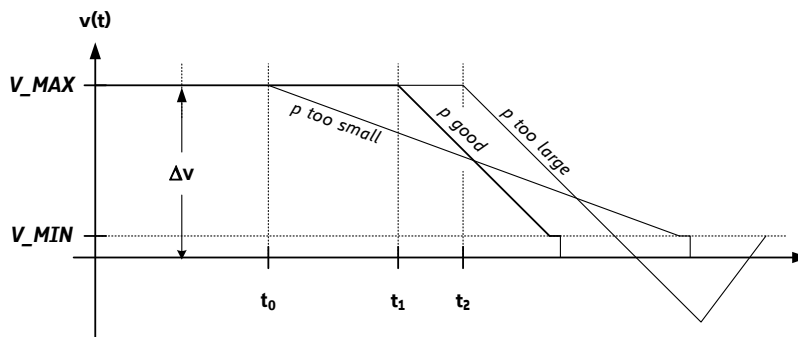


Figure 6.3 Proportionality parameter  $p$  and outline of velocity profile(s)



### 6.1.9.2.1 Choosing a Pair of *PMUL* and *PDIV*

The calculation is based on the formula

$$p = \frac{P_{MUL}}{P_{DIV}} = \frac{PMUL}{2^{3+PDIV}}$$

#### CALCULATIONS

1. To represent the parameter  $p$  choose a pair of *PMUL* and *PDIV* which approximates  $p$ .
2. Value range for *PMUL*: 128... 255
3. Value range for *PDIV*: one out of {0, 1, 2, 3, 4, 5, 6, 7, 8, 9, 10, 11, 12, 13} (representing  $P_{DIV}$  one out of {8, 16, 32, 64, 128, 256, 512, 1024, 2048, 4096, 8192, 16384, 32786, 65536})
4. Try all  $128 * 14 = 1792$  possible pairs of *PMUL* and *PDIV* with a program and choose a matching pair.
5. To find a pair, calculate for each pair of *PMUL* and *PDIV*

$$p = \frac{A_{MAX}}{128 * 2^{RAMP\_DIV - PULSE\_DIV}} \quad \text{and}$$

$$p' = \frac{P_{MUL}}{P_{DIV}} = \frac{PMUL}{2^{3+PDIV}} \quad \text{and}$$

$$q = \frac{p'}{p}$$

6. Select one of the pairs satisfying the condition  $0.95 < q < 1.0$ . The value  $q$  interpreted as a function  $q(a_{max}, ramp\_div, pulse\_div, pmul, pdiv)$  gives the *quality criterion* required.

Although  $q = 1.0$  indicates that the chosen  $P_{MUL}$  and  $P_{DIV}$  perfectly represent the desired  $p$  factor for a given  $A_{MAX}$ , overshooting could result because of finite numerical precision. On the other hand in case of high resolution microstepping, overshooting of one microstep is negligible in most applications.

To avoid overshooting, use  $P_{MUL}-1$  instead of the selected  $P_{MUL}$  or select a pair  $(P_{MUL}, P_{DIV})$  with  $q = 0.99$ .

### 6.1.9.2.2 Optimized Calculation of *PMUL* and *PDIV*

The calculation of the parameters *PMUL* and *PDIV* can be simplified using the expression

$$PMUL = p * 2^3 * 2^{PDIV} \quad \text{with} \quad p = \frac{A_{MAX}}{128 * 2^{RAMP\_DIV - PULSE\_DIV}}$$

To avoid overshooting, use

$$p_{reduced} = p * (1 - p_{reduction}[\%]) \quad \text{with} \quad p_{reduction} \text{ approximately } 1\%$$

This results in:

$$PMUL = p_{reduced} * 2^3 * 2^{PDIV} = 0.99 * p * 2^3 * 2^{PDIV}$$

*PMUL* becomes a function of the parameter *PDIV*. To find a valid pair  $\{PMUL, PDIV\}$  choose one out of 14 pairs for  $PDIV = \{0, 1, 2, 3, \dots, 13\}$  with *PMUL* within the valid range  $128 \leq PMUL \leq 255$ .

The C language example *pmulpdiv.c* can be found on [www.trinamic.com](http://www.trinamic.com). The source code can directly be copied from the PDF datasheet file.

### 6.1.9.2.3 Calculation Example: *PMUL* and *PDIV*

```

/* PROGRAM EXAMPLE 'pmlpdiv.c' : How to Calculate p_mul & p_div for the TMC4210 */

#include <math.h>
#include <stdio.h>
#include <stdlib.h>
#include <string.h>

void CalcPMulPDiv(int a_max, int ramp_div, int pulse_div, float p_reduction,
                 int *p_mul, int *p_div, double *PIdeal, double *PBest, double *PRedu )
{
    int    pdiv, pmul, pm, pd ;
    double p_ideal, p_best, p, p_reduced;

    pm=-1; pd=-1; // -1 indicates : no valid pair found
    p_ideal = a_max / (pow(2, ramp_div-pulse_div)*128.0);
    p       = a_max / ( 128.0 * pow(2, ramp_div-pulse_div) );
    p_reduced = p * ( 1.0 - p_reduction );

    for (pdiv=0; pdiv<=13; pdiv++)
    {
        pmul = (int)(p_reduced * 8.0 * pow(2, pdiv)) - 128;

        if ( ( 0 <= pmul ) && ( pmul <= 127 ) )
        {
            pm = pmul + 128;
            pd = pdiv;
        }
    }

    *p_mul = pm;
    *p_div = pd;

    p_best = ((double)(pm)) / ((double)pow(2,pd+3));

    *PIdeal = p_ideal;
    *PBest  = p_best;
    *PRedu  = p_reduced;
}

int main(int argc, char **argv)
{
    int  a_max=0, ramp_div=0, pulse_div=0, p_mul, p_div,
        a_max_lower_limit=0, a_max_upper_limit=0;
    double pideal, pbest, predu;
    float  p_reduction=0.0;

    char **argp;

    if (argc>1)
    {
        while (argv++, argc--)
        {
            argp = argv + 1;  if (*argp==NULL) break;

            if ( (!strcmp(*argv,"-a")) ) sscanf(*argp,"%d",&a_max);
            else if ( (!strcmp(*argv,"-r")) ) sscanf(*argp,"%d",&ramp_div);
            else if ( (!strcmp(*argv,"-p")) ) sscanf(*argp,"%d",&pulse_div);
            else if ( (!strcmp(*argv,"-pr")) ) sscanf(*argp,"%f",&p_reduction);
        }
    }
    else
    {
        fprintf(stderr,"\n  USAGE : pmlpdiv -a <a_max> -r <ramp_div> -p <pulse_div> -pr <0.00 .. 0.10>\n"
               "    EXAMPLE : pmlpdiv -a 10 -r 3 -p 3 -pr 0.05\n");
        return 1;
    }

    printf("\n\n  a_max=%d\tramp_div=%d\tpulse_div=%d\tp_reduction=%f\n\n",
           a_max, ramp_div, pulse_div, p_reduction);

    CalcPMulPDiv(a_max, ramp_div, pulse_div, p_reduction, &p_mul, &p_div, &pideal, &pbest, &predu );

    printf("    p_mul = %3.3d\n  p_div = %3d\n\n  p_ideal = %f\n  p_best = %f\n  p_redu = %f\n\n",
           p_mul, p_div, pideal, pbest, predu);

    a_max_lower_limit = (int)pow(2,(ramp_div-pulse_div-1));
    printf("\n  a_max_lower_limit = %d",a_max_lower_limit);
    if (a_max < a_max_lower_limit) printf("    [WARNING: a_max < a_max_lower_limit]");
    a_max_upper_limit = ((int)pow(2,(12+(ramp_div-pulse_div)))) -1;
    printf("\n  a_max_upper_limit = %d",a_max_upper_limit);
    if (a_max > a_max_upper_limit) printf("    [WARNING: a_max > a_max_upper_limit]");
    printf("\n\n");

    return 0;
}
/* ----- */

```

### 6.1.10 *lp*, *RAMP\_MODE*, and *REF\_CONF* (IDX=%1010)

The configuration words *REF\_CONF* and *RAMP\_MODE* are accessed via a common address.

<i>lp</i> , <i>RAMP_MODE</i> , AND <i>REF_CONF</i>	
Bit or Register	Function
<i>RAMP_MODE</i>	The two bits <i>RAMP_MODE</i> ( <i>R_M</i> ) select one of the four possible stepping modes.
<i>lp</i>	The bit called <i>lp</i> (latched position) is a read only status bit.
<i>REF_CONF</i>	The configuration bits <i>REF_CONF</i> select the behavior of the reference switches.

#### 6.1.10.1 *RAMP\_MODE* Register

TMC4210 MOTION MODES		
<i>RAMP_MODE</i> bits	Mode	Function
%00	<i>ramp_mode</i>	Default mode for positioning applications with trapezoidal ramp. This mode is provided as default mode for positioning tasks.
%01	<i>soft_mode</i>	Similar to <i>ramp_mode</i> , but with soft target position approaching. The target position is approached with exponentially reduced velocity. This feature can be useful for applications where vibrations at the target position have to be minimized.
%10	<i>velocity_mode</i>	Mode for velocity control applications, change of velocities with linear ramps. This mode is for applications, where stepper motors have to be driven precisely with constant velocity.
%11	<i>hold_mode</i>	The velocity is controlled by the microcontroller, motion parameter limits are ignored. This mode is provided for motion control applications, where the ramp generation is completely controlled by the microcontroller.

### 6.1.10.2 The *REF\_CONF* Register and the *lp* Read-Only Status Bit

A reference switch can be used as an automatic stop switch. The reference switch indicates the reference position within a given tolerance. The automatic stop function of the switches can be enabled or disabled. Also a reference tolerance range (see register *DX\_REF\_TOLERANCE*, chapter 0) can be programmed to allow motion within the reference switch active range during homing.

When a reference switch is triggered, the actual position can be stored automatically. This allows a precise determination of the reference point. It is initiated by writing a dummy value to the register *X\_LATCHED* (see chapter 6.1.14). The read-only status bit *lp* (latch position waiting) indicates that the next change of the selected reference switch will trigger latching the position *X\_ACTUAL*. The *lp* bit is automatically reset after position latching.

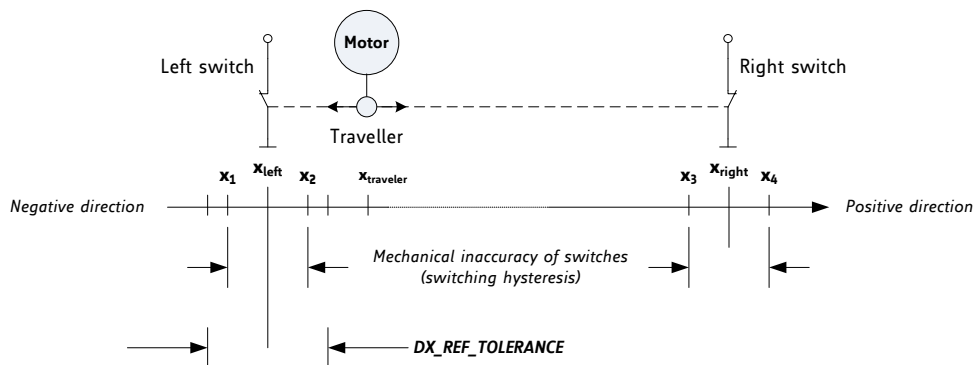


Figure 6.4 Left switch and right switch for reference search and automatic stop function

The bits contained in the *REF\_CONF* register control the semantic and the actions of the reference/stop switch modes for interrupt generation as explained later. The stepper motor stops if the reference/stop switch becomes active. This mechanism reacts only to the switch which corresponds to the actual motion direction, e.g. the right switch when moving to a more positive position. The configuration bits named *disable\_stop\_l* respectively *disable\_stop\_r* disable these automatic stop functions. If the bit *soft\_stop* is set, the motor stops with linear ramp as determined by *A\_MAX*.

REFERENCE SWITCH CONFIGURATION BITS <i>REF_CONF</i> AND <i>LP</i> STATUS BIT	
<i>REF_CONF</i> mnemonic	Function
<i>disable_stop_l</i>	0 : The motor will be stopped when the velocity is negative ( $V\_ACTUAL < 0$ ) and the left reference switch becomes active. 1 : Left reference switch is disabled as an automatic stop switch.
<i>disable_stop_r</i>	0 : Stops the motor if the velocity is positive ( $V\_ACTUAL > 0$ ) and the right reference switch becomes active. 1 : Right reference switch is disabled as an automatic stop switch.
<i>soft_stop</i>	0 : Stopping takes place immediately; motion parameter limits are ignored. 1 : Stopping takes place in consideration of motion parameter limits; stops with linear ramp.
<i>ref_RnL</i>	The bit <i>ref_RnL</i> ( <i>reference switch Right not Left</i> ) defines which switch will be used as the reference switch. The definition of the reference switch by the configuration bit <i>ref_RnL</i> has no effect on the stop function of the reference switches if <i>disable_stop_l</i> = 0 respectively <i>disable_stop_r</i> = 0. 0 : The left reference switch controls reference switch functions. 1 : The right (not left) reference switch controls reference switch functions.
<i>lp</i>	0 : This is the power-on default of the <i>lp</i> (latched position waiting) bit. 1 : <i>X_LATCHED</i> has been initialized by a write access to latch the position on a change of the reference switch. It is set to 0 after a position has been latched.

**ATTENTION**

Per default there is only one switch available: REF\_L is configured as left reference switch. For configuring REF\_R as right switch, it is necessary to set the *mot1r* bit in the *STEPPER MOTOR GLOBAL PARAMETER REGISTER* to 1. Please refer to chapter 6.2.1.5 for further information.

There is a functional difference between reference switches and stop switches. Reference switches are used to determine a reference position for the stepper motor. Stop switches are used for automatic stopping the motor when reaching a limit. The signals of switches are processed via the inputs REF\_L and REF\_R. They might be used as automatic stop switches, reference switches, or both.

**32 BIT DATAGRAM SENT FROM A μC TO THE TMC4210**

3	3	2	2	2	2	2	2	2	2	2	1	1	1	1	1	1	1	1	1	1	1	1	0	0	0	0	0	0	0				
1	0	9	8	7	6	5	4	3	2	1	0	9	8	7	6	5	4	3	2	1	0	9	8	7	6	5	4	3	2	1	0		
RRS		ADDRESS						RW	DATA																								
		0	0	1	0	1	0																REF_CONF										RAMP_MODE
0																							disable_stop_l disable_stop_r soft_stop ref_RnL										%00 : ramp, %01 : soft, %10 : velocity, %11 : hold

### 6.1.11 INTERRUPT\_MASK & INTERRUPT\_FLAGS (IDX=%1011)

The TMC4210 provides one interrupt register of eight flags for the stepper motor.

Interrupt bits are named *int\_<mnemonic>*. The interrupt out nINT\_SDO\_C is set active low and the interrupt status bit *int* is set active high if at least one interrupt flag of the motor becomes set. If the interrupt status is inactive, nINT is high (1) and *int* is low (0).

#### SETTING MASKS AND FLAGS

- An interrupt flag is set to 1 if its assigned interrupt condition occurs.
- Each interrupt bit can either be enabled or disabled (1/0) individually by an associated interrupt mask bit named *mask\_<mnemonic>*.
- Interrupt flags are reset to 0 by a write access (RW=0) to their interrupt register address (IDX=%1011). Write 1 at the position of the bit to clear the flag. Writing a 0 to the corresponding position leaves the interrupt flag untouched.
- Interrupt flags are forced to 0 if the corresponding mask bit is disabled (0).

INTERRUPT FLAGS	
<i>int_&lt;mnemonic&gt;</i>	Function
<i>int_pos_end</i>	If a target position is reached while the interrupt mask <i>mask_pos_end</i> is 1, the bit is set to 1.
<i>int_ref_wrong</i>	Reference switch signal was active outside the reference switch tolerance range (defined by the <i>DX_REF_TOLERANCE</i> register). The switches processed via the inputs REF_L and REF_R can be used as stop switches for automatic motion limiting, as reference switches, and for both. If a reference switch becomes active out of the reference switch tolerance range the interrupt flag <i>int_ref_wrong</i> is set if the interrupt mask bit <i>mask_ref_wrong</i> is set.
<i>int_ref_miss</i>	The interrupt flag <i>int_ref_miss</i> is set if the reference switch is inactive at the 0 position and the mask <i>mask_ref_miss</i> is enabled.
<i>int_stop</i>	The <i>int_stop</i> flag is set, if the reference switch has forced a stop during motion and if the interrupt mask <i>mask_stop</i> is set.
<i>int_stop_left_low</i>	High to low transition of left reference switch. The <i>int_stop_left_low</i> flag is set if the reference switch changes from high to low and if the interrupt mask bit <i>mask_stop_left_low</i> is set.
<i>int_stop_right_low</i>	High to low transition of right reference switch. The <i>int_stop_right_low</i> flag is set if the reference switch changes from high to low and if the interrupt mask bit <i>mask_stop_right_low</i> is set.
<i>int_stop_left_high</i>	Low to high transition of left reference switch. The <i>int_stop_left_high</i> flag indicates that the left reference switch input changes from low to high if the mask bit <i>mask_stop_left_high</i> is set.
<i>int_stop_right_high</i>	Low to high transition of right reference switch. The <i>int_stop_right_high</i> flag indicates that the right reference switch input changes from low to high if the mask bit <i>mask_stop_right_high</i> is set.

INTERRUPT MASK BIT	
<i>mask_&lt;mnemonic&gt;</i>	Function
<i>mask_pos_end</i>	1: mask enabled; 0: mask disabled.
<i>mask_ref_wrong</i>	1: mask enabled; 0: mask disabled.
<i>mask_ref_miss</i>	1: mask enabled; 0: mask disabled.
<i>mask_stop</i>	1: mask enabled; 0: mask disabled.
<i>mask_stop_left_low</i>	1: mask enabled; 0: mask disabled.
<i>mask_stop_right_low</i>	1: mask enabled; 0: mask disabled.
<i>mask_stop_left_high</i>	1: mask enabled; 0: mask disabled.
<i>mask_stop_right_high</i>	1: mask enabled; 0: mask disabled.



The full step frequency  $R_{FS}$  is given by

$$R_{FS}[Hz] = \frac{R[Hz]}{2^{USRS}}$$

The change  $\Delta R$  in the pulse rate per time unit is given by

$$\Delta R[Hz/s] = \frac{f_{CLK}[Hz] * f_{CLK}[Hz] * A\_MAX}{2^{PULSE\_DIV+RAMP\_DIV+29}}$$

where

- $\Delta R$ : pulse frequency change per second (acceleration)
- 29: the constant is derived from  $2^{29} = 2^5 * 2^5 * 2^8 * 2^{11} = 32*32*256*2048$ .
- 32 comes from fixed clock pre-dividers,
- 256 comes from the velocity accumulation clock pre-divider, and
- 2048 comes from the velocity accumulation clock divider programmed by  $A\_MAX$ . The parameter  $A\_MAX$  is in range 0 to 2047.

The change of fullstep frequency  $\Delta R_{FS}$  in the pulse rate per time unit is given by

$$\Delta R_{FS}[Hz] = \frac{\Delta R[Hz]}{2^{USRS}}$$

The angular velocity of a stepper motor can be calculated based on the full step frequency  $R_{FS}[Hz]$  for a given number of full steps per rotation. Similarly, the angular acceleration of a stepper motor can be calculated based on the change of the full step frequency per second  $\Delta R_{FS}[Hz]$ .

### 6.1.12.2 Calculating the Number of Steps During Linear Acceleration

$$S = \frac{1}{2} * \frac{v^2}{a}$$

where

- $S$  = number of steps
- $a$  = linear acceleration
- $v$  = velocity

With  $v = R[Hz]$  and  $a = \Delta R[Hz/s]$  one gets:

$$S = \frac{1}{2} * \frac{v^2}{A\_MAX} * \frac{2^{RAMP\_DIV}}{2^{PULSE\_DIV}} \div 2^3$$

The number of full steps  $S_{FS}$  during linear acceleration is given by

$$S_{FS} = \frac{S}{2^{usrs}}$$

Changing  $PULSE\_DIV$  in *velocity\_mode* or in *hold\_mode* might force an internal microstep (with microstep resolution defined by *usrs*) depending on the actual microstep position. This behavior can be observed especially when the motor is at rest. In *ramp\_mode* this does not occur.  $PULSE\_DIV$  should only be changed in *ramp\_mode*!



### 6.1.13 *DX\_REF\_TOLERANCE* (IDX=%1101)

Generally, the switch inputs REF\_L and REF\_R can be used as stop switches for automatic motion limiting and as reference switches defining a reference position for the stepper motor. To allow the motor to drive near the reference point, it is possible to exclude a motion range of steps from the stop switch function.

The parameter *DX\_REF\_TOLERANCE* disables automatic stopping by a switch around the origin (see Figure 6.4). To use the *DX\_REF\_TOLERANCE* far from the origin, the actual position has to be adapted, e.g. by setting it to zero in the center of the tolerance range. Additionally, the parameter *DX\_REF\_TOLERANCE* affects interrupt conditions as described before (section 6.1.11).

### 6.1.14 *X\_LATCHED* (IDX=%1110)

This read-only register stores the actual position *X\_ACTUAL* upon a change of the reference switch state. The reference switch is defined by the bit *ref\_RnL* of the configuration register 6.2.1.5. Writing a dummy value to the (read-only) register *X\_LATCHED* initializes the position storage mechanism. The actual position is saved with the next rising edge or falling edge signal of the reference switch depending on the actual motion direction of the stepper motor. The actual position is latched when the switch defined as the reference switch by the *ref\_RnL* bit changes (see chapter 1.5.4). The status bit *lp* signals, if latching of a position is pending. This way, a precise reference is available for homing.

An event at the reference switch associated to the actual motion direction takes effect only during motion (when *V\_ACTUAL* ≠ 0).

## 6.2 Global Parameter Registers

The registers addressed by RRS=0 with SMDA=%11 are global common parameter registers. To emphasize this difference, the address label JDX is used as index name instead of IDX (see overview in chapter 5.3).

### OVERVIEW GLOBAL PARAMETER REGISTER MAPPING

REGISTER	DESCRIPTION
IF_CONFIGURATION_4210	This register is used for configuration of <ul style="list-style-type: none"> <li>- the reference switch inputs</li> <li>- the Step/Dir interface</li> <li>- the association of the position compare output signal to one stepper motor</li> </ul>
STEPPER MOTOR GLOBAL PARAMETER REGISTER	This register holds configuration bits for the stepper motor driver chain and defines <ul style="list-style-type: none"> <li>- timing</li> <li>- reference switch adjustments</li> </ul>

### 6.2.1 IF\_CONFIGURATION\_4210 (JDX=%0100)

The register IF\_CONFIGURATION\_4210 is the interface configuration register for the TMC4210. It is used for configuration of

- the reference inputs
- the interrupt output
- the Step/Dir interface

#### INTERFACE CONFIGURATION REGISTER CONTROL BITS

IF_CONFIGURATION_4210	Function
inv_ref	Invert common polarity for all reference switches. If this bit is set, a low level on the input signals an active reference switch.
step_half	Toggle on each step pulse (this halves the step frequency, both pulse edges represent steps). <i>step_half</i> reduces the required step pulse bandwidth and is useful if for low-bandwidth optocouplers. <i>This function can be used for the TMC262 stepper driver.</i>
inv_stp	Invert step pulse polarity. This configuration can be used for adaption of the step polarity to external driver stage.
inv_dir	Invert step pulse polarity. This is for adaption to external driver stages. Alternatively, this can be used as a shaft bit to adjust the direction of motion for the motor, but do not use this as a direction bit because it has no effect on the internal handling of signs ( <i>X_ACTUAL, V_ACTUAL...</i> ).
en_sd	Enable the Step/Dir interface by setting this bit to 1 ( <i>EN_SD=1</i> ). <i>Note: The step pulse timing (length) must be compatible with both, the desired step frequency and the external drivers' requirements. The step pulse timing is determined by the 4 LSBs of STPDIV_4210.</i>

#### 32 BIT DATAGRAM SENT FROM A $\mu$ C TO THE TMC4210

3	3	2	2	2	2	2	2	2	2	2	2	1	1	1	1	1	1	1	1	9	8	7	6	5	4	3	2	1	0		
1	0	9	8	7	6	5	4	3	2	1	0	9	8	7	6	5	4	3	2	1	0										
RRS	ADDRESS						RW	DATA																							
0	1	1	0	1	0	0																									

IF\_CONFIGURATION\_4210

en\_ref=0    0    0    en\_sd=1    inv\_dir    inv\_stp    step\_half    sdo\_int=0    inv\_ref

**INITIALIZE THE STEP/DIR INTERFACE!**

Enable the Step/Dir interface by setting `en_sd=1!`  
 After power-on, the output signals are logic high until they become configured for step/direction.

**6.2.1.1 POS\_COMP\_4210 (JDX=%0101)**

`POS_COMP_4210` defines a position, which becomes compared to the motor position.

**6.2.1.2 POS\_COMP\_INT\_4210 (JDX=%0110)**

The position compare interrupt mask (*M*) and interrupt flag (*I*) register hold the mask and interrupt concerning the position compare function of the TMC4210.

**6.2.1.3 POWER\_DOWN (JDX=%1000)**

A write to the register address `POWER_DOWN` sets the TMC4210 into the *power down mode* until it detects a falling edge at the pin `nSCS_C`. During power down, all internal clocks are stopped. All outputs remain stable, and all register contents are preserved.

**6.2.1.4 TYPE\_AND\_VERSION\_4210 (JDX=%1001)**

Read only register that gives type und version of the design.

**6.2.1.5 REFERENCE\_SWITCHES (JDX=%1110)**

The current state of the reference switches can be read out with this register. Per default configuration, only the left reference switch is active (`mot1r=0`).

**INITIALIZE THE RIGHT REFERENCE SWITCH!**

For using both reference switches, write 1 to `mot1r`.

If it is desired to invert the polarity of the reference switches, the bit `inv_ref` of the `IF_CONFIGURATION_4210` register can be set. This allows matching normally open contacts or normally closed contacts.

**6.2.2 STEPPER MOTOR GLOBAL PARAMETER REGISTER (JDX=%1111)**

This register holds different configuration bits for the stepper motor driver chain. The absolute address (RRS & ADDRESS) of the stepper motor global parameter register is `%01111110 = $7E`.

STEPPER MOTOR GLOBAL PARAMETER CONTROL	
Register	Function
<code>STPDIV_4210</code>	The timing of the Step/Dir interface is controlled by four LSBs. Please refer to chapter 8.1 for the calculation of Step/Dir timing.
<code>mot1r</code>	<b>Set <code>mot1r</code> to 1 for a left and a right swicht.</b> In case switches are not to be used, pull the related pins to GND. Refer to chapter 7.1.

32 BIT DATAGRAM SENT FROM A μC TO THE TMC4210																															
1	3	2	2	2	2	2	2	2	2	2	1	1	1	1	1	1	1	1	1	9	8	7	6	5	4	3	2	1	0		
RRS	ADDRESS						RW	DATA																							
0	1	1	1	1	1	1																								00	

## 7 Reference Switch Inputs

### 7.1 Reference Switch Configuration, *mot1r*

*mot1r* is for configuring the reference switches of the TMC4210. Per default, *mot1r*=0.

REFERENCE INPUTS DEPENDING ON CONFIGURATION BITS		
<i>mot1r</i>	left switch	right switch
0	REF_L	-
1	REF_L	REF_R

### 7.2 Triple Switch Configuration

The programmable tolerance range around the reference switch position is useful for a triple switch configuration, as outlined in Figure 7.1. In this configuration two switches are used as automatic stop switches and one additional switch is used as the reference switch between the left stop switch and the right stop switch. The left stop switch and the reference switch are connected in series. In order to use the reference switch, program a tolerance range into the register *DX\_REF\_TOLERANCE*. This disables the automatic stop within the tolerance range of the reference switch. The homing procedure can use the right switch to make sure, that the reference switch is found properly. The TMC4210 can automatically check the correct position of the driver whenever the reference switch is passed.

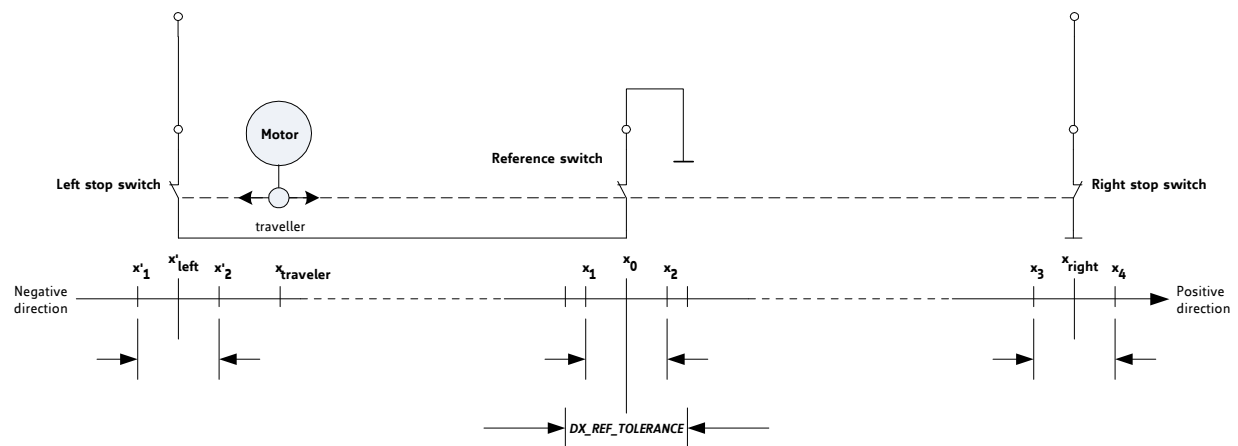


Figure 7.1 Triple switch configuration *left stop switch – reference switch – right stop switch*

## 7.3 Homing Procedure

In order to home the drive, the reference switch position  $x_{ref}$  must be determined after each power on (see Figure 7.2).

### PROCEED AS FOLLOWS:

1. Due to mechanical inaccuracy of switches, the reference switch is active within the following range:  $x_1 < x_{ref} < x_2$ , where  $x_1$  and  $x_2$  may vary. If the traveler is within the range  $x_1 < x_{traveler} < x_2$  at the start of the homing procedure, it is necessary to leave this range, because the associated reference switch is active. A dummy write access to  $X\_LATCHED$  initializes the position latch register.
2. With the traveler within the range  $x_2 < x_{traveler} < x_{max}$  and the register  $X\_LATCHED$  initialized, the position  $x_2$  can simply be determined by motion with a target position  $X\_TARGET$  set to  $-x_{max}$ .
3. When reaching position  $x_2$  the position is latched automatically.
4. With stop switch enabled, the stepper motor automatically stops if the position  $x_2$  is reached.
5. Now, set the  $DX\_REF\_TOLERANCE$  in order to allow motion within the active reference switch range  $x_1 < x_{ref} < x_2$  and to move the traveler to a position  $x_{traveler} < x_1$  if desired.
6. Afterwards initialize the register  $X\_LATCHED$  again to latch the position  $x_1$  by a motion to a target position  $x_{traveler} < x_1$ .
7. When the positions  $x_1$  and  $x_2$  are determined the reference position  $x_{ref} = (x_1 + x_2) / 2$  can be set. Finally, one should move to the target position  $X\_TARGET = x_{ref}$  and set  $X\_TARGET := 0$  and  $X\_ACTUAL := 0$  when reached.

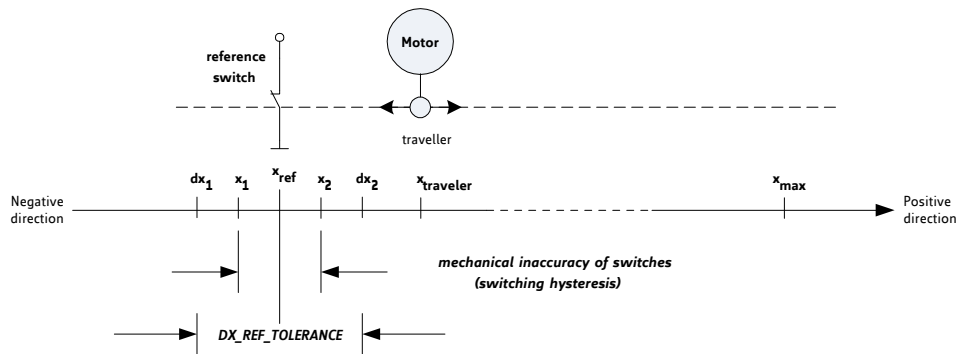


Figure 7.2 Reference search

## 8 Step/Dir Drivers

Step/Dir drivers contain an internal sequencer. The Step/Dir interface is a simple and universal interface for real time motion control. All additional control functions like current control have to be provided by the microcontroller directly communicating to the driver.

The Step/Dir mode is enabled if the control bit *en\_sd* (enable Step/Dir) of the *IF\_CONFIGURATION\_4210* register is set to 1.

### 8.1 Timing

The timing of the Step/Dir interface should be adapted to the requirements of the driver and the transmission line. The minimum pulse width may be limited.

The timing of the Step/Dir interface is controlled by four LSBs named *STPDIV\_4210*.

For a given clock frequency  $f_{CLK}$  [MHz] of the TMC4210, the length  $t_{STEP}$  [ $\mu$ s] of a step pulse is

$$t_{STEP[\mu s]} = 16 * \frac{1 + STPDIV\_4210}{f_{CLK[MHz]}}$$

- For a clock frequency  $f_{CLK}$  [MHz] of 16MHz the step pulse length can be programmed in integer multiple of  $1\mu$ s by *STPDIV\_4210*.
- The *STPDIV\_4210* has to be set compatible to the upper step frequency  $f_{STEP} = 1/t_{STEP}$  which is used.
- The first step pulse after a change of direction is delayed by  $t_{DIR2STP}$  which is equal to  $t_{STEP}$  to avoid setup time violations of the Step/Dir power stage.

#### MAXIMUM STEP FREQUENCIES

Generally, the maximum step pulse frequency is  $f_{STEP\_MAX}$  [MHz] =  $f_{CLK}$  [MHz] / 32.

For a clock frequency  $f_{CLK}$  [MHz] = 16 MHz the maximum step pulse frequency  $f_{STEP\_MAX}$  is 500kHz.

For a clock frequency  $f_{CLK}$  [MHz] = 32 MHz the maximum step pulse frequency  $f_{STEP\_MAX}$  is 1MHz.

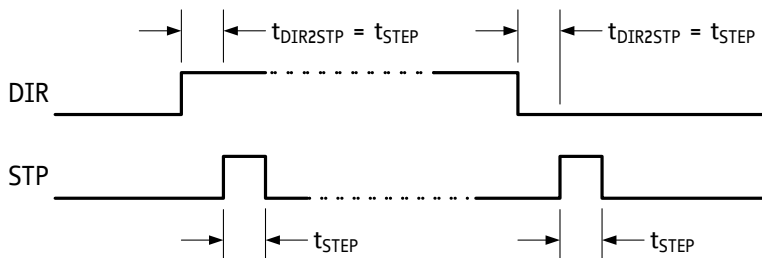


Figure 8.1 Step/Dir timing (*en\_sd* = 1; *step\_half* = 0)

## 9 Running a Motor

### 9.1 Getting Started

For starting a motor proceed as follows:

1. Set *en\_sd* to 1 to enable the Step/Dir interface to the driver IC.
2. Set the velocity parameters *V\_MIN* and *V\_MAX*.
3. Set the clock pre-dividers *PULSE\_DIV* and *RAMP\_DIV*.
4. Set *A\_MAX* with a valid pair of *PMUL* and *PDIV*.
5. Choose the ramp mode with *RAMP\_MODE* register.
6. Choose the reference switch configuration. Set *mot1r* to 1 for a left and a right reference switch. If this bit is not set and the right switch is not to be used, pull REF\_R to GND.
7. Now, the TMC4210 runs a motor if you write either *X\_TARGET* or *V\_TARGET*, depending on the choice of the ramp mode.

### 9.2 Running a Motor with Start-Stop-Speed in *ramp\_mode*

The TMC4210 has an integrated automatic start-stop-speed mechanism. This can easily be realized by a simple command sequence. To start and stop with a speed *V\_START\_STOP* different from zero, one has to proceed as follows:

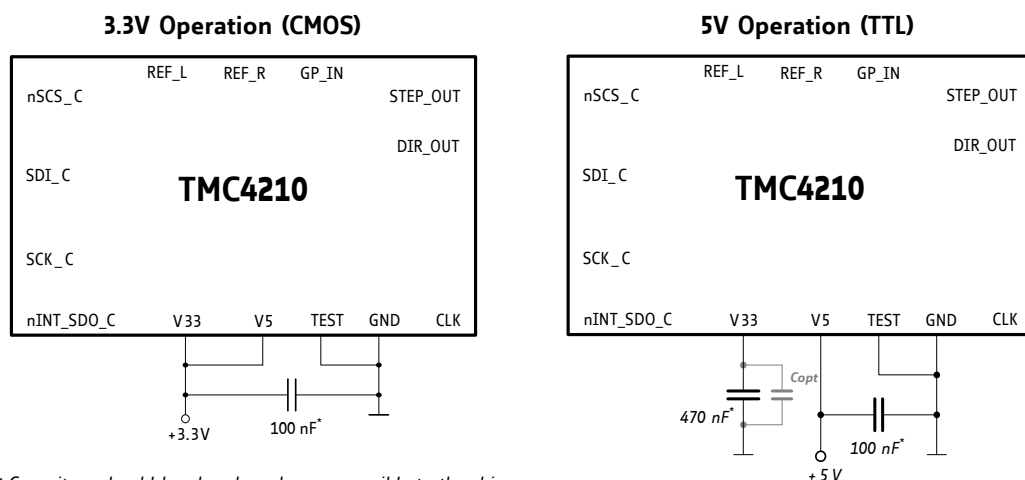
1. Set *V\_MIN* := *V\_START\_STOP*.
2. Set *ramp\_mode*.
3. Set *X\_TARGET* to desired target position.
4. Set *V\_ACTUAL* immediately with correct sign for *V\_ACTUAL* to *+V\_MIN* resp. *-V\_MIN*, depending on the direction of positioning.

## 10 On-Chip Voltage Regulator

The on-chip voltage regulator delivers a 3.3 V supply for the chip core. The TMC4210 provides two operational modes to operate in 5 V or in 3.3 V environments. For both operational modes one resp. two external capacitors are required. *Please keep all connections as short as possible!*

OPERATIONAL MODE	
Operational mode	Necessary additional hardware
5 V	<ul style="list-style-type: none"> <li>- An external 100nF ceramic capacitor (CBLOCK) has to be connected between pin V5 and ground.</li> <li>- An external 470nF ceramic capacitor has to be connected between the V33 pin and ground.</li> </ul>
3.3 V	An external 100nF ceramic capacitor is necessary only between pin V33 and ground.

CHARACTERISTICS OF THE ON-CHIP VOLTAGE REGULATOR						
Symbol	Parameter	Conditions	Min	Typ	Max	Unit
VDD5REG	Supply voltage vdd5	5 V Operational Mode	4.5	5	5.5	V
CBLOCK	Block capacitor	5 V Operational Mode, x7r ceramic capacitor		100		nF
VDD3REG	Supply voltage vdd3	3.3 V Operational Mode	2.9	3.3	3.6	V
ICCNLREG	Current consumption	No load		50	100	μA
tSREG	Startup time	No external capacitor connected			20	μs
tSREGC	Startup time	C_load = 470 nF			150	μs
TDRFT	Temperature drift				300	ppm / °C
VRIPPLE	Ripple on vdd3	With ripple over 50 mV the input thresholds may differ from that specified in the data sheet			100	mV
CREG	External capacitor	Use x7r ceramic capacitors on pin 33. Using an external capacitor with capacity other than typical, the ripple should be measured on pin v33 to be sure that requirements are satisfied.	33	470		nF
COPT	Optional capacitor	Optional parallel capacitor for additional reduction of high frequency ripple, c0g ceramic, unnecessary in most cases		470		pF



\* Capacitors should be placed as close as possible to the chip.

GND and TEST have to be connected to ground as close as possible to the chip.

In most cases the optional capacitor Copt is not necessary.

**Figure 10.1 3 V operation (CMOS) vs. 5 V operation (TTL)**



## 11 Power-On Reset

The TMC4210 is equipped with a static and dynamic reset with an internal hysteresis. The chip performs an automatic reset during power-on. If the power supply voltage falls below the threshold  $V_{ON}$ , an automatic power-on reset is performed. The power-on reset time  $t_{RESPOR}$  depends on the power-up time of the on-chip voltage regulator.

CHARACTERISTICS OF THE ON-CHIP POWER-ON-RESET					
Symbol	Parameter	Min	Typ	Max	Unit
VDD	Power supply range	3.0	3.3	3.6	V
Temp	Temperature	-55	25	125	°C
$V_{OP}$	Reset ON/OFF hysteresis			0.80	V
$V_{OFF}$	Reset OFF	1.58	2.13	2.85	V
$V_{ON}$	Reset ON	1.49	1.98	2.70	V
$t_{RESPOR}$	Reset time of on-chip power-on-reset	2.14	3.31	5.52	μs

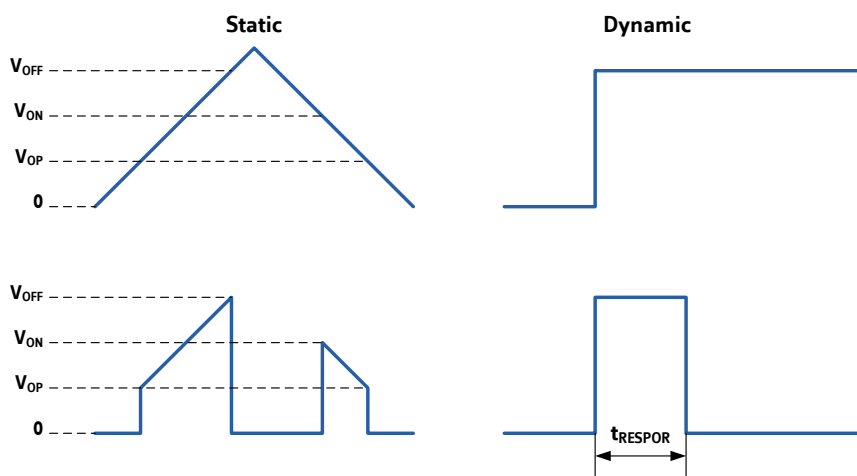


Figure 11.1 Operating principle of the power-on-reset

## 12 Absolute Maximum Ratings

The maximum ratings may not be exceeded under any circumstances. Operating the circuit at or near more than one maximum rating at a time for extended periods shall be avoided by application design.

Symbol	Parameter	Conditions	Min	Max	Unit
V <sub>DD3</sub>	DC supply voltage	Voltage at Pin V33 in 3.3V mode	-0.3	3.6	V
V <sub>I3</sub>	DC input voltage, 3.3 V I/Os		-0.3	V <sub>DD3</sub> + 0.3	V
V <sub>O3</sub>	DC output voltage, 3.3 V I/Os		-0.3	V <sub>DD3</sub> + 0.3	V
V <sub>DD5</sub>	DC supply voltage	Voltage at Pin V5	-0.3	5.5	V
V <sub>I5</sub>	DC input voltage, 5V I/Os	Continuous DC Voltage	-0.3	V <sub>DD5</sub> + 0.3, 5.5 max	V
V <sub>O5</sub>	DC output voltage, 5V I/Os	Continuous DC Voltage	-0.3	V <sub>DD5</sub> + 0.3, 5.5 max	V
V <sub>ESD</sub>	ESD voltage	PAD cells are designed to resist ESD voltages according to Human Body Model according to MIL-STD-883, with R <sub>C</sub> = 1 – 10 MΩ, R <sub>D</sub> = 1.5 KΩ, and C <sub>S</sub> = 100 pF, but it cannot be guaranteed.		±2000	V
TEMP <sub>D2</sub>	Ambient air temperature range	Industrial / consumer type	-40	+85	°C
TEMP <sub>D3</sub>	Ambient air temperature range	Automotive type	-55	+125	°C
TEMP <sub>D4</sub>	Ambient air temperature range	Industrial type	-40	+105	°C
TSG	Storage temperature		-60	+150	°C

## 13 Electrical Characteristics

### 13.1 Power Dissipation

General DC characteristics						
Symbol	Parameter	Conditions	Min	Typ	Max	Unit
I <sub>SC32MHZ</sub>	Supply current	f = 32 MHz at T <sub>c</sub> = 25°C		15		mA
I <sub>SC16MHZ</sub>	Supply current	f = 16 MHz at T <sub>c</sub> = 25°C		5	10	mA
I <sub>SC8MHZ4210</sub>	Supply current	f = 8 MHz at T <sub>c</sub> = 25°C (IOs driven)		5		mA
I <sub>SC4MHZ</sub>	Supply current	f = 4 MHz at T <sub>c</sub> = 25°C		1.25	2.5	mA
I <sub>PDN25C</sub>	Power down current	Power down mode at T <sub>c</sub> = 25°C, 5V supply		70	150	μA

## 13.2 DC Characteristics

DC characteristics contain the spread of values guaranteed within the specified supply voltage range unless otherwise specified. A device with typical values will not leave Min/Max range within the full temperature range.

General DC characteristics						
Symbol	Parameter	Conditions	Min	Typ	Max	Unit
ILC	Input leakage current		-10		10	$\mu\text{A}$
CIN	Input capacitance			7		pF
LIL	Input with pull up	$V_{\text{IN}} = 0\text{V}$	-110	-30	-5	$\mu\text{A}$

DC characteristics for 3.3V supply mode						
Symbol	Parameter	Conditions	Min	Typ	Max	Unit
$V_{\text{DD3}}$	DC supply voltage		3.0	3.3	3.6	V
$V_{\text{I3}}$	DC input voltage		0		$V_{\text{DD3}}$	V
$V_{\text{IL3}}$	Low level input voltage	Pin TEST only	0		$0.3 \times V_{\text{DD3}}$	V
$V_{\text{IH3}}$	High level input voltage	Pin TEST only	$0.7 \times V_{\text{DD3}}$		$V_{\text{DD3}} + 0.3$	V
$V_{\text{LTH3}}$	Low level input voltage threshold	All inputs except TEST	0.9		1.2	V
$V_{\text{HTH3}}$	High level input voltage threshold	All inputs except TEST	1.5		1.9	V
$V_{\text{HYS3}}$	Schmitt-Trigger hysteresis		0.4		0.7	V
$V_{\text{OL3}}$	Low level output voltage	$I_{\text{OL}} = 0.3 \text{ mA}$			0.1	V
$V_{\text{OH3}}$	High level output voltage	$I_{\text{OH}} = 0.3 \text{ mA}$	$V_{\text{DD3}} - 0.1$			V
$V_{\text{OL3}}$	Low level output voltage	$I_{\text{OL}} = 2 \text{ mA}$			0.4	
$V_{\text{OH3}}$	High level output voltage	$I_{\text{OH}} = 2 \text{ mA}$	$V_{\text{DD3}} - 0.4$			V

Ripple on  $V_{\text{DD3}}$  has to be taken into account when measuring thresholds and hysteresis.

DC characteristics for 5V supply mode						
Symbol	Parameter	Conditions	Min	Typ	Max	Unit
$V_{\text{DD5}}$	DC supply voltage		4.5	5	5.5	V
$V_{\text{I5}}$	DC input voltage		0		$V_{\text{DD5}}$	V
$V_{\text{IL5}}$	Low level input voltage	Pin TEST only	0		$0.3 \times V_{\text{DD5}}$	V
$V_{\text{IH5}}$	High level input voltage	Pin TEST only	$0.7 \times V_{\text{DD5}}$		$V_{\text{DD5}} + 0.3$	V
$V_{\text{LTH5}}$	Low level input voltage threshold	All inputs except TEST, $V_{\text{DD5}} = 5\text{V}$	0.9		1.2	V
$V_{\text{HTH5}}$	High level input voltage threshold	All inputs except TEST, $V_{\text{DD5}} = 5\text{V}$	1.5		1.9	V
$V_{\text{HYS5}}$	Schmitt-Trigger hysteresis		0.4		0.7	V
$V_{\text{OL5}}$	Low level output voltage	$I_{\text{OL}} = 0.3 \text{ mA}$			0.1	V
$V_{\text{OH5}}$	High level output voltage	$I_{\text{OH}} = 0.3 \text{ mA}$	$V_{\text{DD5}} - 0.1$			V
$V_{\text{OL5}}$	Low level output voltage	$I_{\text{OL}} = 4 \text{ mA}$			0.4	
$V_{\text{OH5}}$	High level output voltage	$I_{\text{OH}} = 4 \text{ mA}$	$V_{\text{DD5}} - 0.4$			V

## 13.3 Timing Characteristics

General timing parameters (TMC4210 with EMI optimized output drivers)						
Symbol	Parameter	Conditions	Min	Typ	Max	Unit
$f_{CLK}$	Operation frequency	$f_{CLK} = 1 / t_{CLK}$	0	16	32	MHz
$t_{CLK}$	Clock period	Rising edge to rising edge of CLK	31.25		$\infty$	ns
$t_{CLK\_L}$	Clock time low		12.5		$\infty$	ns
$t_{CLK\_H}$	Clock time high		12.5		$\infty$	ns
$t_{RISE\_I}$	Input signal rise time	10% to 90% except TEST pin	0.5		$\infty$	ns
$t_{FALL\_I}$	Input signal fall time	90% to 10% except TEST pin	0.5		$\infty$	ns
$t_{RISE\_O\_4210}$	Output signal rise time	10% to 90%		7		ns
$t_{FALL\_O\_4210}$	Output signal fall time	90% to 10%		7		ns
$t_{SU}$	Setup time	Relative to falling clock edge at CLK	1			ns
$t_{HD}$	Hold time	Relative to falling clock edge at CLK	1			ns
$t_{PD\_4210}$	Propagation delay time	50% of rising edge of the clock CLK to the 50% of the output	1	10		ns

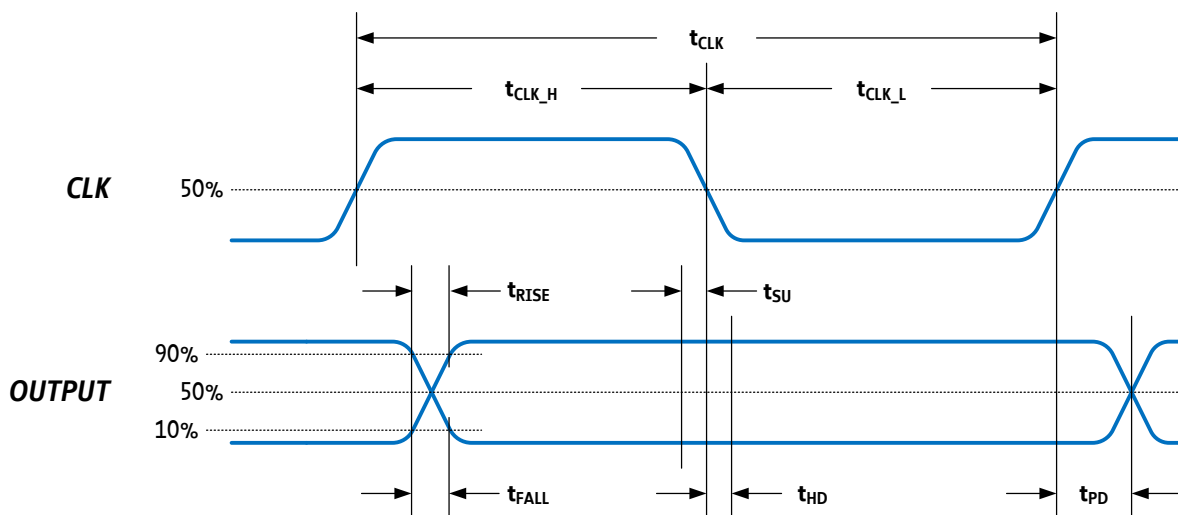


Figure 13.1 General timing parameters

## 15 Package Mechanical Data

### 15.1 Dimensional Drawings

Attention: Drawings not to scale.

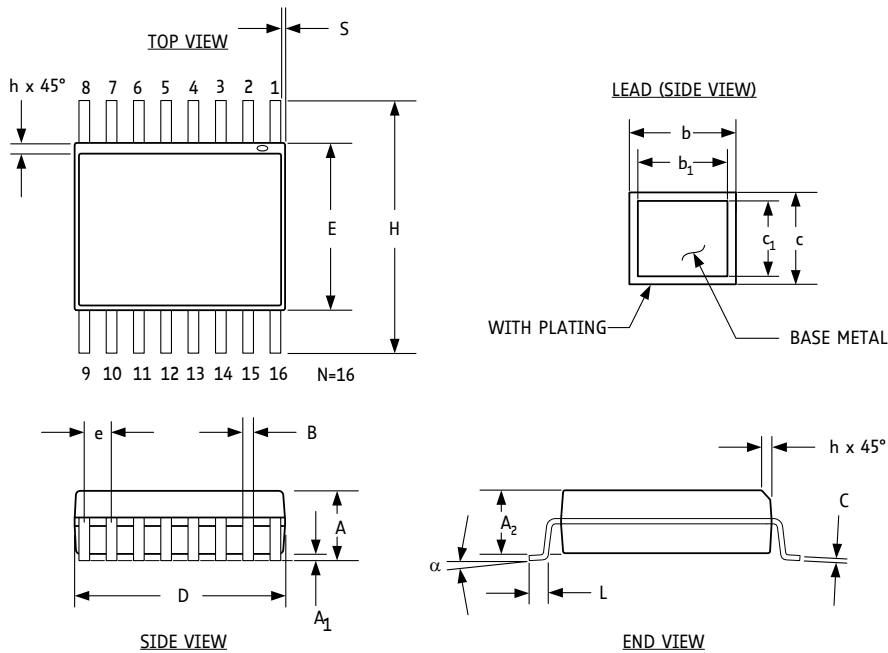


Figure 15.1 Dimensional drawings SSOP16, 150 MILS, 0.635mm (0.025 inch) pitch

DIMENSIONS OF PACKAGE SSOP16, 150 MILS						
Symbol	Dimensions in MILLIMETERS			Dimensions in INCHES		
	Min	Typ	Max	Min	Typ	Max
A	1.55	1.63	1.73	0.061	0.064	0.068
A1	0.10	0.15	0.25	0.004	0.006	0.0098
A2	1.40	1.47	1.55	0.055	0.058	0.061
b	0.20		0.30	0.008		0.012
b1	0.20	0.25	0.28	0.008	0.010	0.011
c	0.18		0.25	0.007		0.010
c1	0.18	0.20	0.23	0.007	0.008	0.009
B	0.20	0.25	0.31	0.008	0.010	0.012
C	0.19	0.20	0.25	0.0075	0.008	0.0098
D	4.80	4.93	4.98	0.189	0.194	0.196
E	3.91 best case			0.154 best case		
e	0.635 best case			0.025 best case		
H	6.02 best case			0.237 best case		
h	0.25	0.33	0.41	0.010	0.013	0.016
L	0.41	0.635	0.89	0.016	0.025	0.035
N	16			16		
S	0.051	0.114	0.178	0.0020	0.0045	0.0070
α	0°	5°	8°	0°	5°	8°

#### 15.1.1 Package Code

Device	Package	Temperature range	Code/ Marking
TMC4210	SSOP16 (RoHS)	-40° to +105°C	TMC4210-I

## 16 Marking

<b>PRODUCT NAME</b>	<b>TMC4210-I</b>
<b>Package</b>	SSOP16 - 150 MILS
<b>Date code</b>	WWYY (week WW and year YY)
<b>Lot number identifier</b>	LLLL
<b>Logo</b>	No
<i>Zoomed Size</i>	

## 17 Disclaimer

TRINAMIC Motion Control GmbH & Co. KG does not authorize or warrant any of its products for use in life support systems, without the specific written consent of TRINAMIC Motion Control GmbH & Co. KG. Life support systems are equipment intended to support or sustain life, and whose failure to perform, when properly used in accordance with instructions provided, can be reasonably expected to result in personal injury or death.

Information given in this data sheet is believed to be accurate and reliable. However no responsibility is assumed for the consequences of its use nor for any infringement of patents or other rights of third parties which may result from its use.

Specifications are subject to change without notice.

All trademarks used are property of their respective owners.

## 18 ESD Sensitive Device

The TMC4210 is an ESD-sensitive CMOS device and sensitive to electrostatic discharge. Take special care to use adequate grounding of personnel and machines in manual handling. After soldering the devices to the board, ESD requirements are more relaxed. Failure to do so can result in defects or decreased reliability.

PAD cells are designed to resist ESD voltages corresponding to Human Body Model (MIL-STD-883, with  $R_c = 1 - 10 \text{ M}\Omega$ ,  $R_D = 1.5 \text{ K}\Omega$ , and  $C_S = 100 \text{ pF}$ ).



*Note: In a modern SMD manufacturing process, ESD voltages well below 100V are standard. A major source for ESD is hot-plugging the motor during operation.*

## 19 Table of Figures

Figure 1.1 TMC4210 functional block diagram .....	4
Figure 1.2 Application example using Step/Dir driver interface .....	5
Figure 3.1 TMC4210 pin out .....	9
Figure 4.1 TMC4210 application environment with TMC260, TMC261 or TMC2660 .....	11
Figure 5.1 Timing diagram of the serial $\mu$ C interface .....	13
Figure 6.1 Velocity ramp parameters and velocity profiles .....	20
Figure 6.2 Target position calculation, ramp generator, and pulse generator .....	23
Figure 6.3 Proportionality parameter $p$ and outline of velocity profile(s) .....	24
Figure 6.4 Left switch and right switch for reference search and automatic stop function .....	28
Figure 7.1 Triple switch configuration <i>left stop switch</i> – <i>reference switch</i> – <i>right stop switch</i> .....	36
Figure 7.2 Reference search .....	37
Figure 8.1 Step/Dir timing ( $en\_sd = 1$ ; $step\_half = 0$ ) .....	38
Figure 10.1 3 V operation (CMOS) vs. 5 V operation (TTL) .....	40
Figure 11.1 Operating principle of the power-on-reset .....	41
Figure 13.1 General timing parameters .....	44
Figure 15.1 Dimensional drawings SSOP16, 150 MILS, 0.635mm (0.025 inch) pitch .....	45

## 20 Revision History

Version	Date	Author SD – Sonja Dwersteg BD – Bernhard Dwersteg	Description
1.00	2013-SEP-09	SD	- TMC4210 Datasheet Rev. 1.00 based on TMC429 Datasheet
1.01	2014-OCT-10	SD	- Chapter 6.2 and 6.2.1 corrected. - Description of status information bits in chapter 5.2.2.2 corrected. Do not set SDO_INT=1 because this disables the SPI output.
1.03	2015-JUN-03	BD	- Update SPI status

## 21 References

[TMC4210+2660-EVAL] TMC4210+2660-EVAL Manual / Evaluation board for S/D